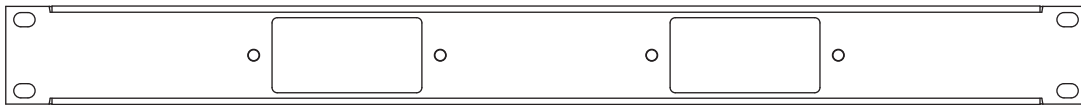


INSTRUCTION SHEET  
**DECP SERIES**  
ONE SPACE DECORA® PANELS



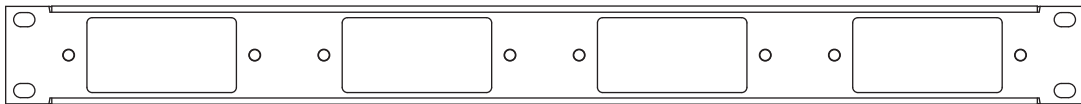
DECP1X1



DECP1X2



DECP1X3

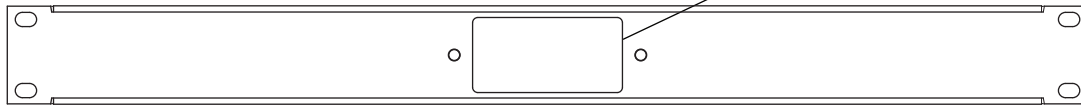


DECP1X4

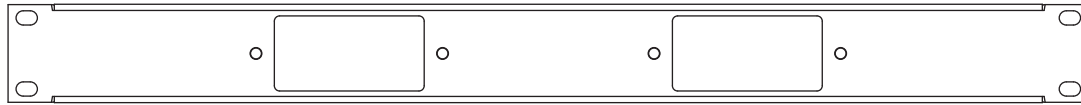
**THANK YOU**

Thank you for purchasing the DECP1XX Decora Panel. Please read these instructions thoroughly before installing / assembling this product.

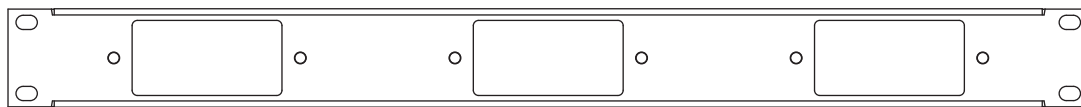
**NOTE:** Accepts any Decora® mount device



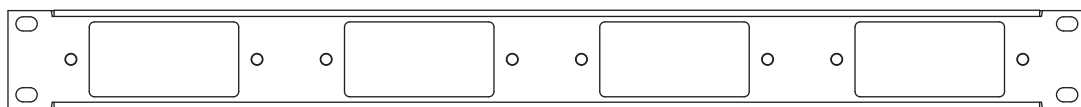
DEC P1X1



DEC P1X2

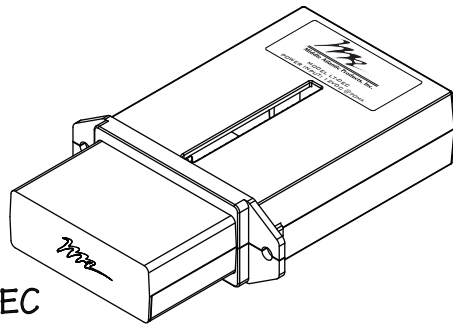


DEC P1X3



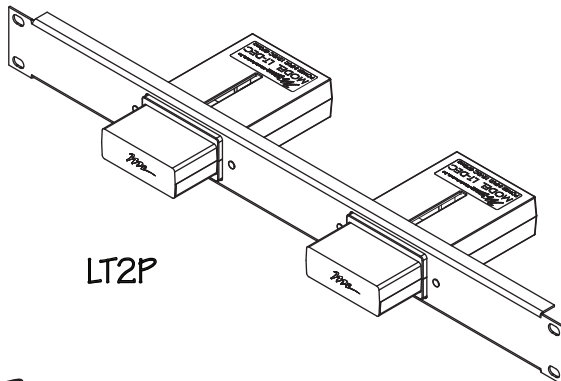
DEC P1X4

**OPTIONS**



LT-DEC

Retractable LED light illuminates components as needed. Perfect for racks located in dimly lit areas. Part #LT-DEC.



LT2P

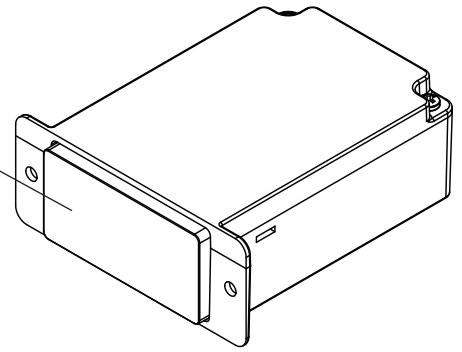
Pre-configured panel with 2 LT-DEC units available, part # LT2P.

## OPTIONS

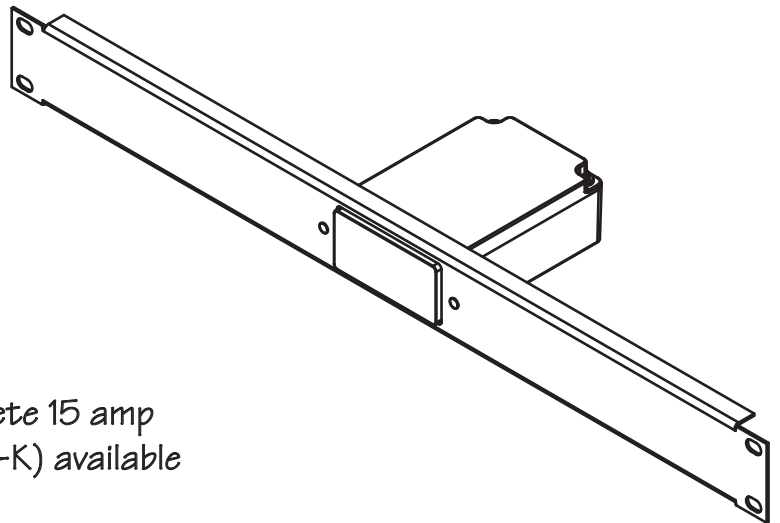
The digital temperature display monitors enclosure temperatures and provides local and remote notification of over temperature conditions. Middle Atlantic Products part # TEMP-DEC.

Pre-configured panel with 1 TEMP-DEC unit available, part # T1P.

TEMPERATURE  
DISPLAY



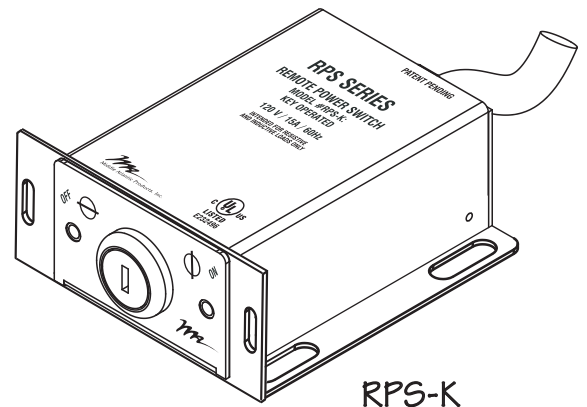
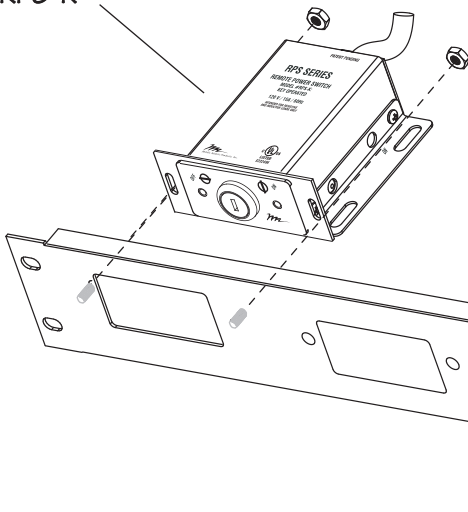
TEMP-DEC



## T1P

Remote power switch (RPS) powers complete 15 amp systems on and off. Keylocked model (RPS-K) available when security is a concern.

RPS-K



RPS-K

## WARRANTY

Middle Atlantic Products, Inc. (the "Company") warrants the DECP1XX to be free from defects in material or workmanship under normal use and conditions for the lifetime of the product.

The Company's entire liability to the purchaser, and the purchaser's (or any other party's) sole and exclusive remedy, under this warranty shall be limited, at the Company's option, to either (a) return of and refund of the price paid for, or (b) repair or replacement at the Company's factory of the products purchased, or any part or parts thereof, which the Company has determined to be defective after inspection thereof at the Company's factory.

This warranty does not cover damage due to acts of God, accident, misuse, abuse or negligence by parties other than the Company, or any modification or alteration of the products. In addition, this warranty does not cover damage due to improper handling, assembly, installation or maintenance.

THIS WARRANTY IS IN LIEU OF ALL OTHER WARRANTIES OF ANY KIND, EITHER EXPRESSED OR IMPLIED, INCLUDING, BUT NOT LIMITED TO, IMPLIED WARRANTIES OF MERCHANTABILITY AND FITNESS FOR A PARTICULAR PURPOSE.

TO THE MAXIMUM EXTENT PERMITTED BY APPLICABLE LAW, IN NO EVENT SHALL THE COMPANY BE LIABLE FOR ANY SPECIAL, INCIDENTAL, INDIRECT, OR CONSEQUENTIAL DAMAGES WHATSOEVER (INCLUDING, WITHOUT LIMITATION, DAMAGES FOR LOSS OF BUSINESS PROFITS, BUSINESS INTERRUPTION OR ANY OTHER PECUNIARY LOSS) ARISING OUT OF THE USE OF THE PRODUCTS PURCHASED, EVEN IF THE COMPANY HAS BEEN ADVISED OF THE POSSIBILITY OF SUCH DAMAGES. THE COMPANY'S LIABILITY TO THE PURCHASER (OR ANY OTHER PARTY) HEREUNDER, IF ANY, SHALL IN NO EVENT EXCEED THE PURCHASE PRICE OF THE PRODUCTS PAID TO THE COMPANY.

### Corporate Headquarters

Corporate Voice 973-839-1011 - Fax 973-839-1976  
International Voice +1 973-839-8821 - Fax +1 973-839-4982  
middleatlantic.com - info@middleatlantic.com

### Middle Atlantic Canada

Voice 613-836-2501 - Fax 613-836-2690  
middleatlantic.ca - contactcanada@middleatlantic.com

### Factory Distribution

USA: NJ - CA - IL Canada: ON - BC

At Middle Atlantic Products we are always listening. Your comments are welcome.

Middle Atlantic Products is an ISO 9001 Registered Company.

