

# EGHB INDUSTRIAL SUSPENDED UNIT HEATER

## FEATURES

### COLOR

- Standard: almond

### FINISH

- Standard: epoxy/polyester powder paint

### VOLTAGE

- 208V, 240V, 277V, 347V, 480V, 600V, 1 or 3-phase
- Some units may be field converted from 3 to 1-phase

### CONSTRUCTION

- 18 and 20-gauge steel
- Adjustable louvres to direct airflow
- High-limit temperature control with automatic reset

### FAN

- Motor mounted in cold compartment
- Thermally-protected motor
- Totally enclosed and factory-lubricated ball bearing motor (except for 15 to 25kW at 208/240V)
- 58 dBA fan (2 to 10kW), 67 dBA fan (15 to 30kW) and 77 dBA fan (40 to 60kW)
- Fan delay purges heater of residual heat

### HEATING ELEMENT

- Durable tubular heating elements; stainless steel (2 to 10kW); finned (15 to 60kW)
- Concentric disposition of heating elements
- Factory sealed element upon request

### CONTROL

- All models have a factory-installed contactor
- 240/208V control circuit standard (with transformer if necessary)
- 24V relay, with or without transformer available
- Built-in thermostat available
- 120V control circuit available

**Manufacturer highly recommends to use a wall thermostat for greater comfort.**

**Any remote thermostat or relay must be connected to the heater control terminal block.**



### INSTALLATION

- Horizontal wall or ceiling mounting using one of two supplied brackets which allow 360° rotation (Horizontal mounting only for 40kW, 50kW and 60kW secured by 4 hooks [ceiling only])
- Vertical mounting using 4 threaded rods 1/2 inch X 13 UNC (not included) (except option -MD)
- Diffuser cones available (except option -MD)
- Large and easily accessible control compartment
- Maximum recommended height (horizontal): 2 to 10kW: 8 ft. (2.4 m); 15 to 30kW: 10 ft. (3 m); 40 to 60kW: 15 ft. (4.5 m)
- Protective screen allows lower mounting height (except 40 to 60kW)
- Minimum height of 8 ft. (2.4 m) for 40 to 60kW heaters
- 30 °C (85 °F) maximum operating ambient temperature

### WARRANTY

- 1-year warranty against defects

### APPLICATION

- Commercial hall, warehouse, stairwell, factory



**REZNOR®**

# EGHB INDUSTRIAL SUSPENDED UNIT HEATER continued

## MODELS

		Size	2	3	4	5	7	10	15	20	25	30	40	50	60		
Heating Capacity	kW	2	3	4	5	7.5	10	15	15	20	20	25	25	30	40	50	60
	MBH	7	10	14	17	26	34	51	51	68	68	85	85	102	136	171	205
Airflow	cfm	510	510	510	700	700	700	1300	1400	1300	1400	1300	1400	2000	2000	2000	2000
Temperature Rise	°F	13	18	25	23	34	45	36	34	49	45	61	56	68	63	79	95
	°C	7	10	14	13	19	25	20	19	27	25	34	31	38	35	44	53
Motor	HP	1/30	1/30	1/30	1/30	1/30	1/30	1/8	1/3	1/8	1/3	1/8	1/3	1/3	3/4	3/4	3/4
	@ 277V and lower	RPM	1550	1550	1550	1550	1550	1550	1550	1550	■	1550	■	1550	■	■	■
	@ 480V and Higher	RPM	1550	1550	1550	1550	1550	1550	■	1725	■	1725	■	1725	1725	1140	1140
Ship Weight	Lbs	45	45	45	45	45	45	85	85	85	85	85	85	150	150	150	
	Kg	20	20	20	20	20	20	39	39	39	39	39	39	68	68	68	
<b>Factory Installed Options</b>																	
Supply Voltage/ Phase	208/1	AK2	✓	✓	✓	✓	■	✓	■	■	■	■	■	■	■	■	■
	208/3	AK5	■	■	■	■	■	✓	✓	■	✓	■	■	■	■	■	■
	208/3-1 <sup>1</sup>	AK15	■	■	■	✓	✓	■	■	■	■	■	■	■	■	■	■
	240/1	AK3E	✓	✓	✓	✓	✓	✓	■	■	■	■	■	■	■	■	■
	240/3	AK6E	■	■	■	■	■	■	✓	■	✓	■	✓	■	■	■	■
	240/3-1 <sup>1</sup>	AK16	■	■	■	✓	✓	✓	■	■	■	■	■	■	■	■	■
	277/1	AK4	✓	✓	✓	✓	✓	■	■	■	■	■	■	■	■	■	■
	347/1	AK34	✓	✓	✓	✓	✓	■	■	■	■	■	■	■	■	■	■
	480/1	AK9E	✓	✓	✓	✓	✓	✓	■	✓	■	✓	■	✓	■	■	■
	480/3	AK7E	✓	✓	✓	✓	✓	✓	■	✓	■	✓	■	✓	✓	✓	✓
600/3	AK8E	✓	✓	✓	✓	✓	✓	■	✓	■	✓	■	✓	✓	✓	✓	
Triple Pole Contactor (3ph) <sup>2</sup>		AN6	✓	✓	✓	✓	✓	✓	✓	✓	✓	✓	✓	✓	✓	✓	✓
	40A	BA14	✓	✓	✓	✓	✓	✓	✓	✓	✓	✓	✓	✓	✓	■	■
Disconnect Switch <sup>3</sup>	80A	BA15	✓	✓	✓	✓	✓	✓	✓	✓	✓	✓	✓	✓	✓	✓	✓
	100A	BA16	✓	✓	✓	✓	✓	✓	✓	✓	✓	✓	✓	✓	✓	✓	✓
Branch Circuit Fusing		BA12	✓	✓	✓	✓	✓	✓	✓	✓	✓	✓	✓	✓	✓	✓	✓
Unit Mounted Summer Fan Switch		BF4A	✓	✓	✓	✓	✓	✓	✓	✓	✓	✓	✓	✓	✓	✓	✓
Control Voltage	208V, 240V, 277V	STD	✓	✓	✓	✓	✓	✓	✓	✓	✓	✓	✓	✓	✓	✓	✓
	24V relay with transformer <sup>4</sup>	BT1	✓	✓	✓	✓	✓	✓	✓	✓	✓	✓	✓	✓	✓	✓	✓
	120V contactor with transformer	BT2	✓	✓	✓	✓	✓	✓	✓	✓	✓	✓	✓	✓	✓	✓	✓
Manual High Limit		BD6	✓	✓	✓	✓	✓	✓	✓	✓	✓	✓	✓	✓	✓	✓	✓
Summer Fan Relay	24V, remote control (Fan Switch must be ordered separately)	CV24	✓	✓	✓	✓	✓	✓	✓	✓	✓	✓	✓	✓	✓	✓	✓
Internal Thermostat		IC11	✓	✓	✓	✓	✓	✓	✓	✓	✓	✓	✓	✓	✓	✓	✓
<b>Field Installed Options (shipped separately)</b>																	
24V Relay Kit <sup>5</sup>	Without transformer	IR24	✓	✓	✓	✓	✓	✓	✓	✓	✓	✓	✓	✓	✓	✓	✓
	240V transformer <sup>6</sup>	IR2B	✓	✓	✓	✓	✓	✓	✓	✓	✓	✓	✓	✓	✓	✓	✓
Unit Mounted Thermostat Kit <sup>7</sup>		IT13	✓	✓	✓	✓	✓	✓	✓	✓	✓	✓	✓	✓	✓	✓	
Wall Mounted Thermostats	Single-pole, low-voltage thermostat <sup>8</sup>	CL1A	✓	✓	✓	✓	✓	✓	✓	✓	✓	✓	✓	✓	✓	✓	✓
	Single-pole, single stage thermostat	CL5	✓	✓	✓	✓	✓	✓	✓	✓	✓	✓	✓	✓	✓	✓	✓
Vertical Cone Diffuser		CD70	✓	✓	✓	✓	✓	✓	✓	✓	✓	✓	✓	✓	✓	✓	

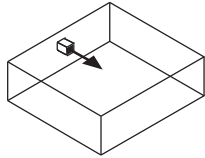
<sup>1</sup> Models with the indications "3/1" can be field converted from 3 to 1-phase.  
<sup>2</sup> 2-pole contactor is standard with single and 3-phase units. 3-pole contactor may be required by some codes for 3-phase.  
<sup>3</sup> For the U.S. only: The nominal current of the unit must not exceed 80% of the capacity of the disconnect.  
<sup>4</sup> For single or multiple unit control.  
<sup>5</sup> IR24: 24V signal by others (multiple units per thermostat). IR2B: for 24V thermostat on each unit.  
<sup>6</sup> All heaters have a 240V control circuit unless otherwise specified.  
<sup>7</sup> Field installed. Same thermostat as Option IC11.  
<sup>8</sup> CL1A thermostat requires option BT1.

Standard color is almond.

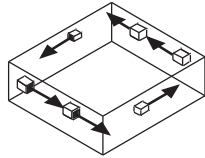
# EGHB INDUSTRIAL SUSPENDED UNIT HEATER continued

## DIMENSIONS

Standard Installation

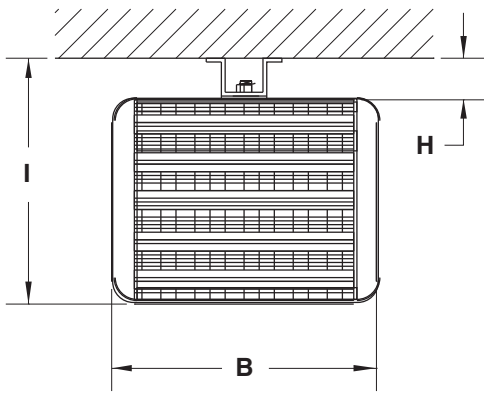
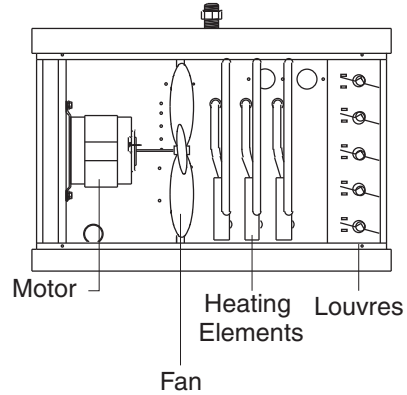


Small Area



Large Area

Side View  
Motor in Cold Section



	2 - 10kW		15 - 30kW		40 - 60kW	
	mm	inch	mm	inch	mm	inch
<b>A</b>	305	12	444	17 1/2	585	23
<b>B</b>	419	16 1/2	556	21 7/8	641	25 1/4
<b>C</b>	432	17	572	22 1/2	870	34 1/4
<b>D</b>	357	14 1/16	470	18 1/2	-	-
<b>E</b>	290	11 7/16	407	16	-	-
<b>F</b>	490	19 5/16	630	24 13/16	924	36 3/8
<b>G</b>	305	12	305	12	305	12
<b>H</b>	123	4 7/8	148	5 13/16	305	12
<b>I</b>	428	16 7/8	592	23 5/16	890	35
<b>Weight</b>	<b>kg</b>	<b>lb</b>	<b>kg</b>	<b>lb</b>	<b>kg</b>	<b>lb</b>
	20	45	39	85	68	150

