

FAB32ULPG3



| | |
|-----------------|---------------|
| Product family | Refrigerator |
| Installation | Free-standing |
| Category | Bottom mount |
| Reference width | Until 60 |
| No-frost system | Total |
| Cooling type | No Frost |
| Defrost | Automatic |
| Hinge position | Left |
| EAN code | 8017709272036 |



Aesthetic

| | | | |
|---------------|--------------|---------------------------|-----------|
| Aesthetics | Retro-style | Logo | Applied |
| Color | Pastel green | Door shelf profile color | Chromed |
| Finishing | Glossy | Drawers profile color | Chromed |
| Handle color | Chromed | Glass shelf profile color | Chromed |
| Side material | Steel | Display | 7 segment |
| Side color | Pastel green | | |

Refrigerator compartment features



| | | | |
|--|----------|-----------------------|-------|
| No. of adjustable shelves | 3 | Type of crisper cover | Glass |
| Number of fruit and vegetables drawers | 1 | LifePlus zone - 32°F | Yes |
| Type of adjustable shelves | Glass | Refrigerator lighting | Yes |
| Crisper drawer type | Standard | Refrigerator lighting | LED |
| Crisper cover | Yes | | |

Refrigerator Inner Door

| | | | |
|--|---|----------------------------|-----|
| No. of door shelves with transparent cover | 1 | No. of bottle shelves | 1 |
| Number of adjustable door shelves | 2 | Door bin with wire support | Yes |

Adjustable door bins with wire support Yes

Other Refrigerator features



Accessories
MultiFlow

Egg tray
Yes

Fan

Yes

Freezer features

Number of drawers 2
No. of compartments with flap 1

Shelf type Plastic

Other Freezer features



Accessories

1 x ice box

Fast-freezing compartment

Yes

Other technical features



Display functions

Holiday, Fast-freezing, Fast-cooling, ECO, Temperature alarm

Fast-freezing button

Yes

Power-on light

Yes

Temperature alarm

Yes

Door open alarm

Acoustic and visual

Temperature Alarm

Yes

Temperature setting type

Electronic

No. of compressors

1

Refrigerant gas type

R600a

Compressor type

Inverter

Refrigerant quantity

2.1 oz

Foam agent

Cyclopentane

Performance / Energy Label NEW

Noise level 37 dB(A) re 1pW

Freezer capacity 3.99 cu. ft.

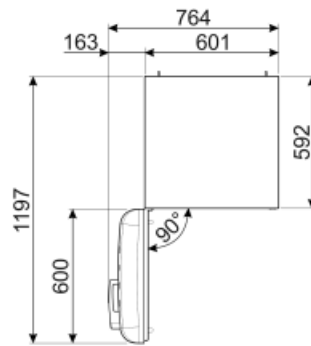
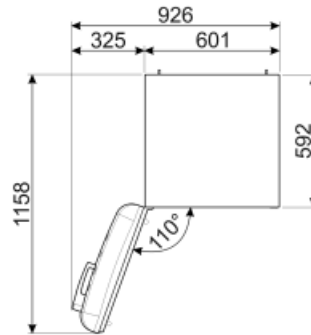
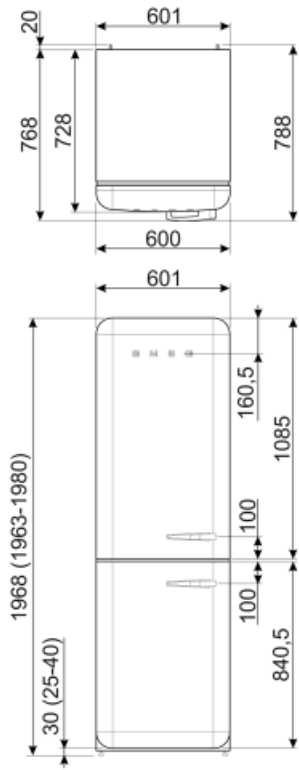
Electrical Connection

Plug (A) USA & Mexico











Voltage (V) 115 V

Electrical connection rating 127 W
Current 1.2 A

Frequency (Hz) 50/60 Hz
Power cord length 70 7/8 "



Symbols glossary (TT)

- | | | | |
|--|--|---|---|
|  | The automatic defrost system works by automatically defrosting at regular intervals eliminating the need to defrost altogether. |  | Economical mode: Analyzes fridge functioning during the activation and optimizes the operating cycle in order to reduce power consumption. |
|  | Ventilated: Forced distribution of cold air in the refrigerator compartment, which allows even temperature distribution within the fridge. |  | Fast freezing: The fast freezing function brings the temperature of the compartment down when activated a few hours prior to usage. |
|  | Power saving mode: The power saving mode allows you to disable the refrigerator and keep the freezer working. |  | LED interior lighting: is a more energy efficient and long lasting way of illuminating the interior of the appliance. |
|  | Life Plus 0°C: The temperature in the Lifeplus compartments is kept at 0°C, which preserves fresh meat and fish longer. |  | Inverter technology: The evolution of Smeg's driers towards more intelligent and environmentally sustainable models has led to the choice of using Inverter technology with heat pumps, which reduces significantly energy consumption. |
|  | Air plus: keeps food fresher for longer. |  | No Frost: The No Frost and Frost free systems prevent ice from forming so that no defrosting is required. |