

Dishwasher



Cabinetry by Shenandoah Cabinetry®. Zodiaq® Quartz Surface by DuPont.

Architect® Series II

KUDK03CT

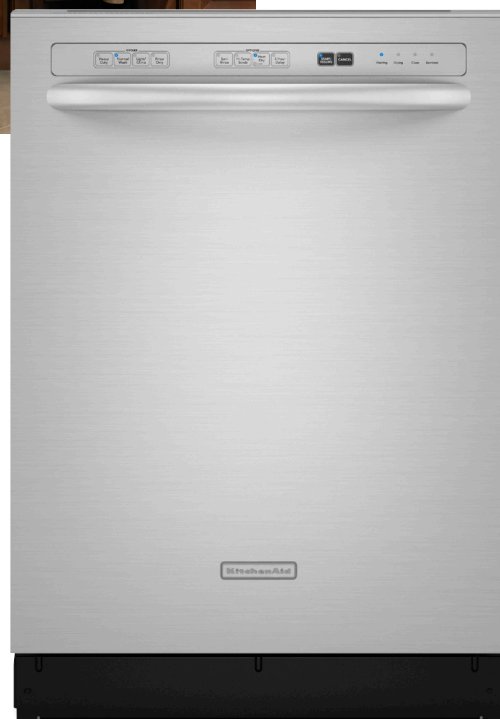
Spend more time with your friends and family and less time cleaning up. A **4-blade food disposer** quietly grinds up food particles so they can be washed away, eliminating the need to prerinse dishes or clean out the bottom of the dishwasher.



White
KUDK03CTWH



Black
KUDK03CTBL

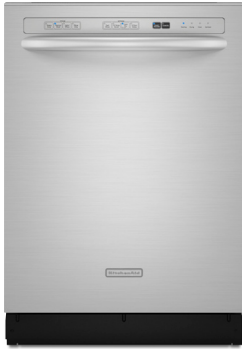


Stainless Steel
KUDK03CTSS



FOR THE WAY IT'S MADE.®

Dishwasher



KUDK03CT

- 4-Blade Food Disposer
- 4 Stainless Steel Wash Arms
- Whisper Quiet® Sound Insulation System (54 dBA)*
- Optimum Wash Sensor
- Welded Tall Tub with Commercial-Grade Stainless Steel Interior
- Dedicated Drying Element
- 4 Cycles/5 Cycle Options
- 2 Fold-Down Rows with Four Sure-Hold® Light Item Clips in Upper Rack
- Fold-Down Row with Two-Position Tines in Lower Rack
- Extra-Large Silverware Basket with Molded Handle and Cover
- 100% Usable DuraKote™ Nylon-Coated Racks with Cushion-Tip™ Tines
- NSF® Certification
- ENERGY STAR® Qualified
- Fully Visible Console
- White (WH), Black (BL), or Stainless Steel (SS)

*Per IEC Standards, normal cycle.

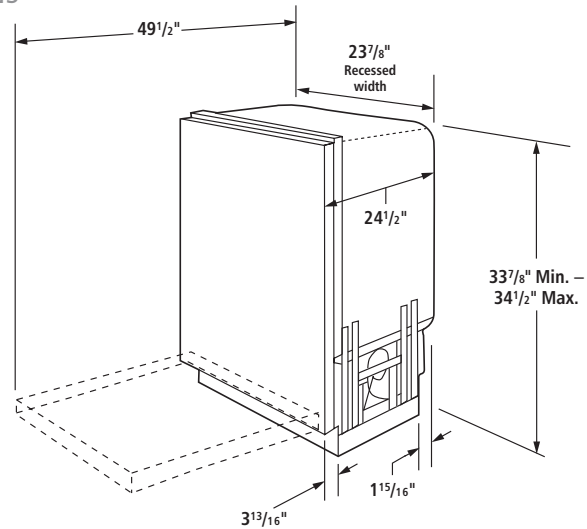
Four Stainless Steel Wash Arms

Located at the bottom of the dishwasher, four stainless steel wash arms spray to ten precisely angled locations to help distribute water more consistently and powerfully onto dishware for better cleaning performance.

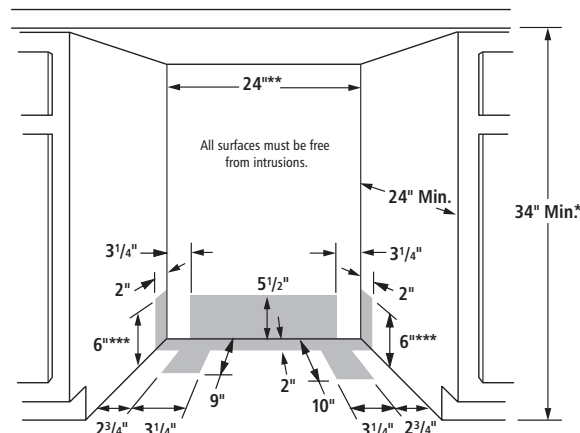
Whisper Quiet® Sound Insulation System

Never again will your dishwasher interfere with after-dinner activities. The sound dampening components of the Whisper Quiet® Sound Insulation System work together to keep operating sounds to a minimum, while the dishwasher delivers maximum cleaning.

PRODUCT DIMENSIONS



CUTOUT DIMENSIONS



*Measured from the lowest point on the underside of countertop. May be reduced to 33 7/8" by removing wheels from dishwasher.

**Minimum, measured from narrowest point of opening.

***May be increased to 6 7/8" if height of opening is 34 1/2" at its lowest point.

Cut openings in shaded area of cabinet walls or floor as specified in chart:

OPENING FOR:	DIAMETER:
water line	1/2"
drain line	1 1/2"
direct wire	3/4"
power supply cord	1 1/2"

Dimensions are for planning purposes only. For complete details, see Installation Instructions packed with product. Specifications subject to change without notice.

KitchenAid®
FOR THE WAY IT'S MADE.®

®Registered trademark/™Trademark of KitchenAid, U.S.A.

©2007. All rights reserved.

KitchenAid • Benton Harbor, Michigan 49022 U.S.A.

®ENERGY STAR is a U.S. registered mark.

®Shenandoah Cabinetry is a registered trademark of American Woodmark Corporation.

®Zodiaq is a DuPont registered trademark for its quartz surfaces. Only DuPont makes Zodiaq.

For Additional Information About KitchenAid® Appliances

Visit KitchenAid.com or call the Customer Experience Center 1-800-422-1230.

03/07
KKDL141

(27742RC0307)
Printed in U.S.A.