

Ideal HydroStation™

SPECIFICATIONS

IHS-1-V-WA



American Black Walnut

IHS-1-V-GT



Graphite Wood Composite

IHS-1-V-BA



Natural Golden Bamboo

IHS-1-V-GR



Exclusive Gray Resin

IHS-1-V-WH



Designer White Resin

Hydro Tool included (HP-7X7)



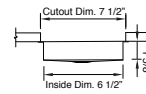
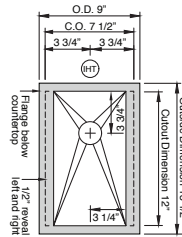
(1) HydroPlate
7" x 7"
HP-7X7-xx

Specifications

Single bowl
Users: 1
Hydro Tool included: One
Galley Hot & Cold Tap recommended: One
Outside dimensions: 9" x 13 1/2" x 1 15/16"
Interior dimensions: 6 1/2" x 12" x 1 5/8"
Countertop cutout: 7 1/2" x 12"
Basin drain opening: 2"
Basin area: 6 1/2" x 12"

Basin (HSO-1-V-SS)

16GA 316L stainless steel indoor/outdoor
SilentArmor™ sound reduction technology
Angel finish
One tier design
Star™ groove pattern
Drain included
Drain cover included
Limited Lifetime Warranty
Made in the USA
ASME A112.19.3/CSA B45.4 certified
cUPC™ certified



Customize Your Galley

ThinTop™
WorkTop™

Upper Deck.

Cover set UD-1-1P-WA/GT/BA/GR/WH Walnut, Graphite, Bamboo, Gray or White Resin



10"



Basin Accessories & citrine.

Hydro Drain H-DRN-MSS Angel Finish 304 Stainless Steel

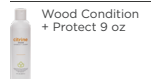


Included with HydroStation

CIT-09-SS-C



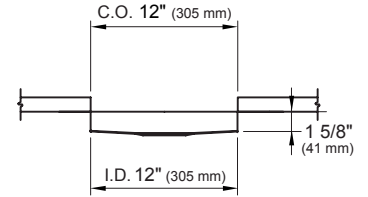
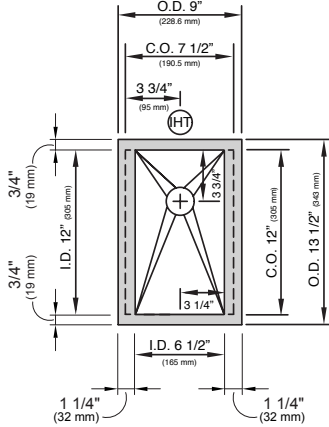
CIT-09-WD-C



CIT-04-WD-B



Tap Hole Specifications

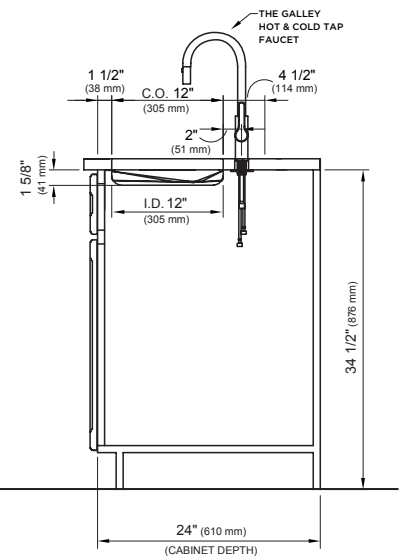
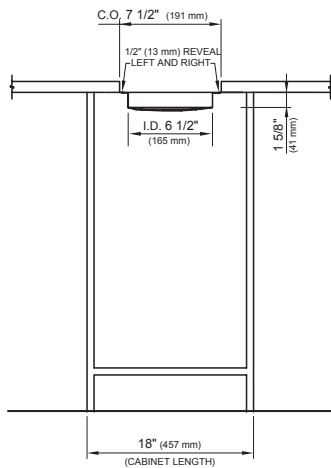


SUGGESTED GALLEY TAP PLACEMENT GUIDE

Suggested maximum inside corner radius of countertop cutout 3/8"
 Ⓞ Galley Hot & Cold Tap 1 3/8" min to 1 1/2" max hole diameter
 Center Tap hole diameter 2" behind cutout

Call 800.375.4255 or email customercare@thegalley.com
 for additional guidance on Tap and Tap Accessory placements

Countertop Cutout Plan



STAINLESS STEEL COMPLIANCE ASME A112. 19.3-2008/CSA B45.4-08

WE RESERVE THE RIGHT TO MAKE REVISIONS WITHOUT NOTICE IN THE DESIGN OF PRODUCTS OR IN PACKAGING UNLESS THIS RIGHT HAS SPECIFICALLY BEEN WAIVED AT THE TIME THE ORDER IS ACCEPTED.

DWG and DXF templates available on our website:
TheGalley.com/specification-library

Questions? For additional assistance, please contact
 The Galley's Customer Care Department at 800.375.4255