

FRIGIDAIRE



30" Gas Range

Gas Range

Available Products: FCRG3051AS

Available Colors: Stainless Steel

Version: 08/22

Product Specifications

Cooktop

Cooking Surface Type	Gas
Grate Material	Cast Iron
Grate Quantity	3
Grate Style	Continuous

Cooking Controls

Bake	Yes
Broil	Yes
Cancel	No
Kitchen Timer	Yes
Lockout	No
Oven Light	Yes
Preheat	Yes
Probe	No
Self Clean	No
Temperature Display	Yes
Timed Bake	No
Warmer Drawer	No

Drawer

Drawer Handle Style	Integrated
Drawer Type	Storage

Display

Display Type	Membrane
Control Location	Rear

Electrical Specifications

Minimum Circuit Required	12 Amps
Voltage Rating	120 V

General Specifications

Prop 65 Label	Yes
Warranty - Labor	1 Year
Warranty - Parts	1 Year

Safety Certifications and Approvals

CSA Listed	Yes
------------	-----

Cooktop Performance

Right Front Element Burner	16,000 BTU
Right Rear Element Burner	5,000 BTU
Left Front Element Burner	9,500 BTU
Left Rear Element Burner	12,000 BTU

Oven

Bake System	Yes
Bake Element	18,000 BTU
Broil System	Yes
Broil Element	1,400 Watts
Rack Position Type	Nickel Ladder
Number of Rack Positions	6
Rack Type 1	Flat
Rack Type 1 Quantity	2
Window Type	Extra Large Visual

Controls

Control Lock	No
Sabbath Mode	No

Dimensions and Volume

Height	47"
Width	29 7/8"
Depth	25 3/4"
Depth With Door 90° Open	46 9/16"
Oven Interior Height	18 5/8"
Oven Interior Width	24 3/8"
Oven Interior Depth	19 1/8"
Oven Capacity	5 Cu. Ft.

Installation

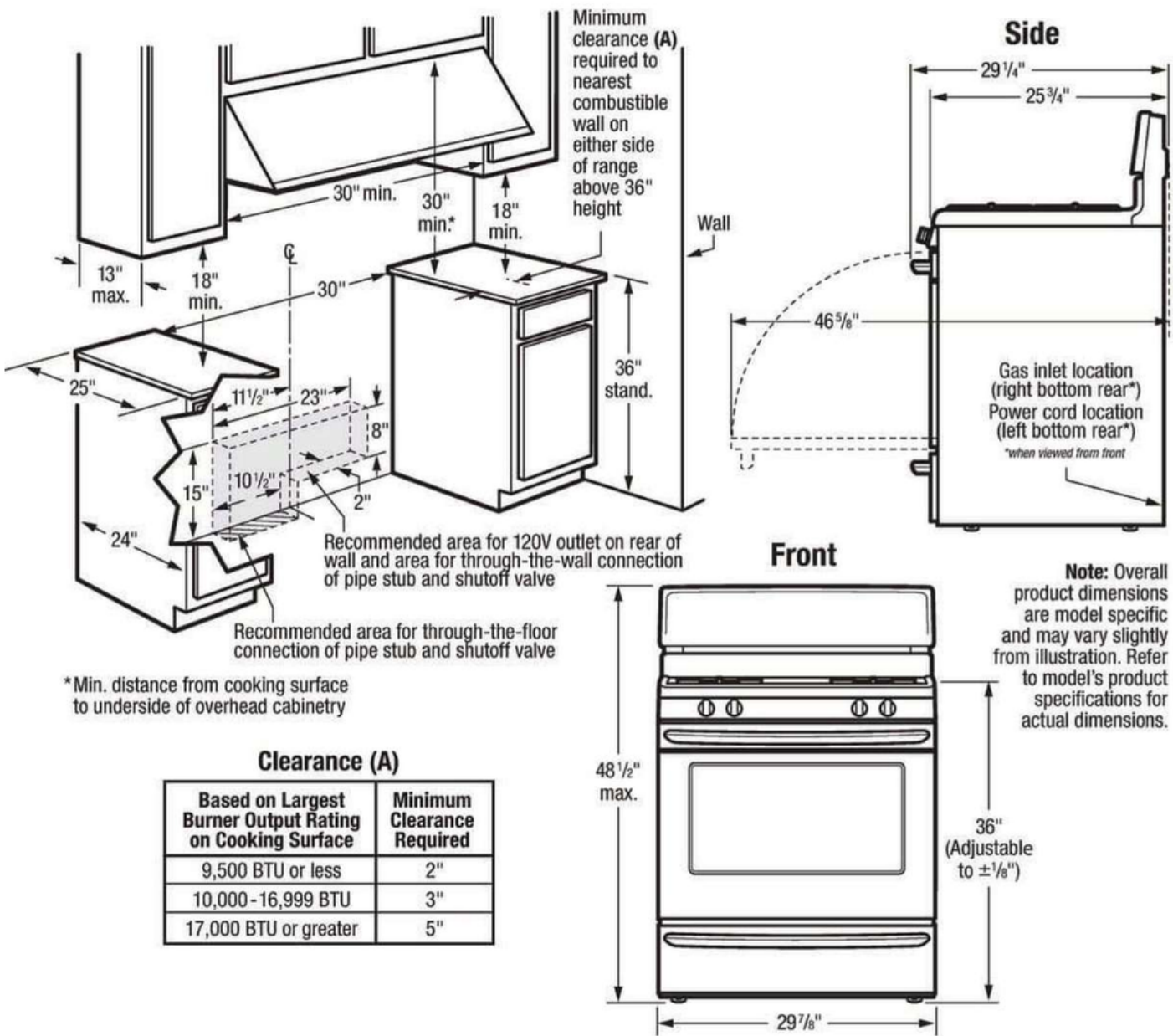
Adjustable Leveling Legs	Yes
Power Supply Connection Location	Bottom Center

Certifications and Approvals

ADA Compliant	No
---------------	----

Installation Diagram

Installation Drawing



Clearance (A)

Based on Largest Burner Output Rating on Cooking Surface	Minimum Clearance Required
9,500 BTU or less	2"
10,000-16,999 BTU	3"
17,000 BTU or greater	5"