



DF481701
400 series dishwasher
Fully integrated
Height 34 1/8"



Optimal protection for sensitive glassware by low temperature drying with zeolite, optimized basket design and intelligent water softening
 Flexible basket system with smooth running rails on all levels and cushioned closing of the upper and lower baskets
 Perfectly illuminated interior
 Push-to-open function for perfect integration into custom cabinet fronts
 Very quiet: 42 dB

Operation

TFT display indicating remaining or end time, refill for salt and rinsing agent, inflow of water.
 Touch key operation.
 Flexible cycle time reduction, even during an active cycle.
 Personalization function for storing individual combinations of programs.
 Information key with use indicators.
 Sanitized indicator in the control panel.
 Time delay up to 24 hours.
 Visual and acoustic end of program indicator.
 Remaining time projection.

Technical Features

Perfectly illuminated interior.
 Glass protection with zeolite.
 Aqua sensor.
 Load sensor.
 Automatic detergent function.
 Yes
 Flow-Through Water Heater™
 Triple filter system.
 Soft lock.
 Aqua stop.

Program assistant.
 Temporary noise reduction (only available with active Home Connect functionality).
 Home network integration for digital services (Home Connect) wireless via WiFi.
 The use of the Home Connect functionality depends on the Home Connect services, which are not available in every country. For further information please check: home-connect.com.

Programs

8 programs:
 Auto 150-160 °F. Auto 127-140 °F.
 Auto 113-122 °F. Eco 113-136 °F.
 Wash and Dry 122 °F. Quick Wash 113 °F (30 min). Glass Care 122 °F.
 Personalization function (default setting: Pre-rinse).
 4 options:
 Intensive Plus. Power. Sanitize. Extra Dry with zeolite.
 Machine Care.

Interior

Flexible rack system with smooth running rails on all levels and soft-closing system of the upper and lower rack.
 3rd rack for cutlery.
 Upper basket:
 Over extension. Rackmatic with 3 levels, adjustable in height up to 2" (5 cm). 6 folding spines. 4 folding racks for optimal protection of glass.
 Lower basket:
 Motorized spray arm. 8 folding spines.
 2 folding racks for optimal protection of glass. Dividable glass support.
 Cutlery basket.

Product Features
Number of Options
 6
Number of options
 8
3rd rack
 3rd Rack 2.1
Tub material
 Stainless steel
Concealed heating element
 Yes
Leak protection system
 24/7 Aqua Stop Plus
Five-level wash
 Yes
Water softener
 Yes
ChildLock
Total annual energy consumption
 240
Energy Efficiency Class
ENERGY STAR®
 Yes
Total annual energy consumption
Total annual water consumption
 505
Number of place settings
 13
Included accessories
 1 x baking tray spray head, 1 x GN container insert, 1 x holder for long-stemmed glasses

Consumption and connection features

2023-06-16
Page 1

Holder for long-stemmed glasses.
 13 place setting capacity.
 Maximum glass loading capacity 23 wine glasses.

Consumption data

Energy Star certified
 Total annual energy consumption 240 kWh.
 Total annual water consumption 505 gallons.
 Noise level 42 dB (re 1 pW).

Planning notes

Height-adjustable feet.
 Appliance toe-kick recess 3 15/16" (see drawing).
 To display the remaining time projection, a minimum toe-kick protrusion is required (1 9/16" + thickness of the cabinet front).
 The maximum toe-kick height must be reduced by 1 1/16" to provide an optimal display of the remaining time projection.
 Rear feet adjustable at front.
 Door weight up to 22 lb.
 Door panel dimension dependent on toe-kick height of kitchen cabinetry.
 Installation and usage also with custom cabinet handle possible. The push-to-open function remains active.

Rating

Total rating: 1440 W.
 Connecting cable 47 1/4" with three-prong plug (NEMA 5-15P).
 Water connection with 3/4" screw joint.
 Connection to hot or cold water possible.
 Power consumption standby/network 2.0 W.
 Time auto-standby/network 2 min.
 Please check the user manual for how to switch off the WiFi module.

Color Variants

DF481701
Fully integrated
Height 34 1/8"

Included accessories

1 x baking tray spray head.
 1 x GN container insert.
 1 x holder for long-stemmed glasses.

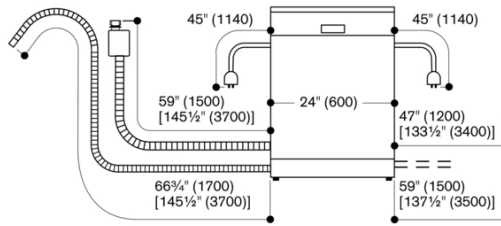
Optional accessories

DA042030
Sterling silver cutlery cassette
DA043000
Holder for long-stemmed glasses

Installation Accessories

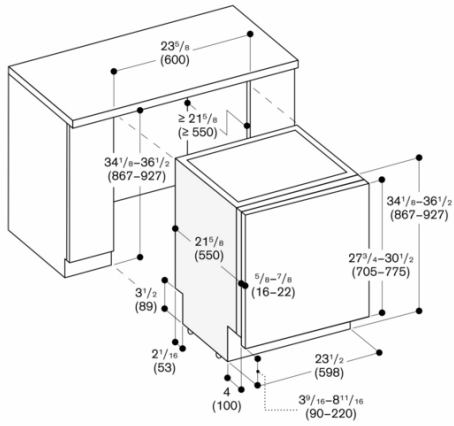
DA021000
Folding hinge
GZ010011
Extension for inlet and outlet (78" long)

Connection dimensions for a 24" (600 mm) wide dishwasher



[] values with extension kit
 Measurements in inches (mm)

Dishwasher 34 1/8" (867 mm)



Measurements in inches (mm)