

THE GALLEY TAP[®]

Installation Guide

Galley Pot Filler Tap and Rough-In

IPT-D

PFT-RO-SS

Before You Begin Installation

Inspect The Galley Pot Filler Tap for any damage prior to installation. Please refer to all local plumbing and building codes prior to installation.

INSTALLATION WARNING

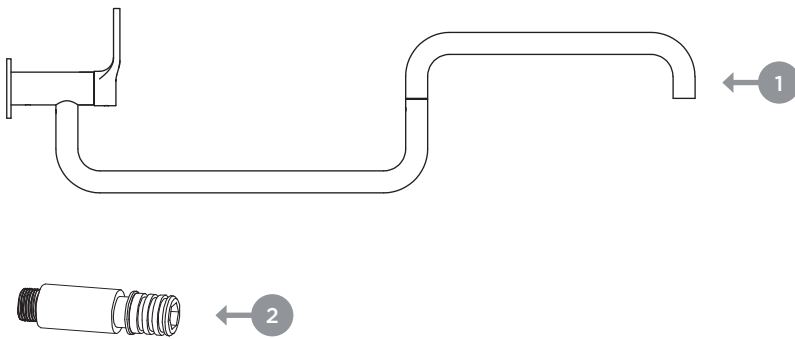
1. Turn off the water supply lines.
2. Observe all local plumbing codes.
3. Inspect water supplies for signs of damage. Replace if necessary.
4. Flush supply lines thoroughly before installation.
5. DO NOT use petroleum-based products on this pot filler.

Tools



Package Contents

IDEAL POT FILLER



Remove all contents from the package and identify before installation.

- 1 - Pot Filler Tap
- 2 - Pot Filler Trim

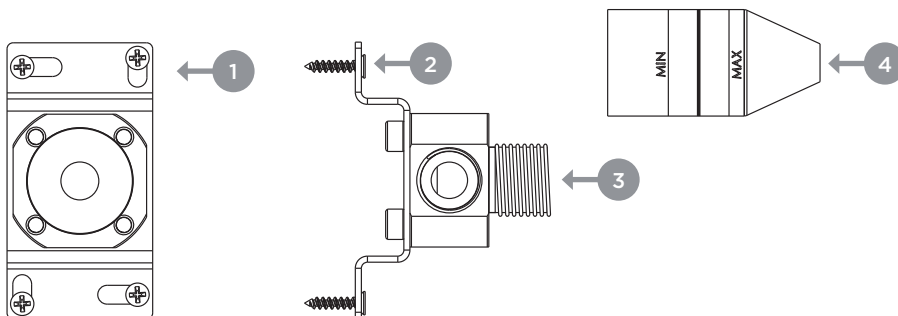
TECHNICAL INFORMATION

Operating Pressure: 145 PSI max (10 bar)
Recommended Operating Pressure: 14 - 60 PSI (1-4 bar)
Flow Rate: 4.2 GPM / 60 PSI

Product is Certified to NSF 61/ANSI 372 and conforms with the lead content requirements for lead free plumbing as defined by California, Vermont, Maryland, and Louisiana state laws and the U.S. Safe Drinking Water Act. This faucet complies with ASME 112.18.1-2018/CSA B125.1-2018 requirements.



ROUGH-IN

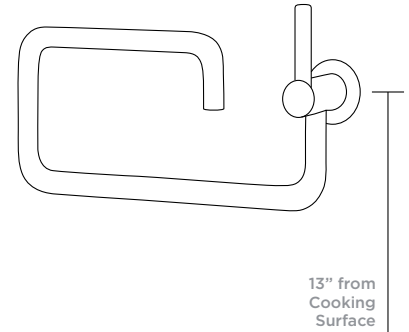
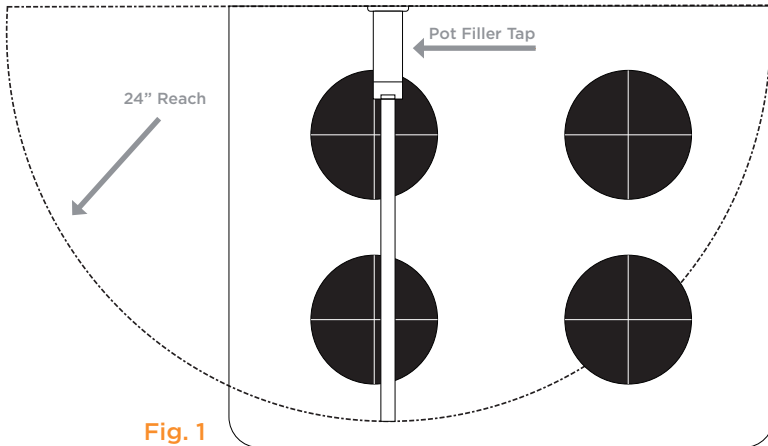


Remove all contents from the package and identify before installation.

- 1 - Mounting Bracket
- 2 - Screws
- 3 - Inlet Housing
- 4 - Inlet Housing Cover

Before You Begin Installation

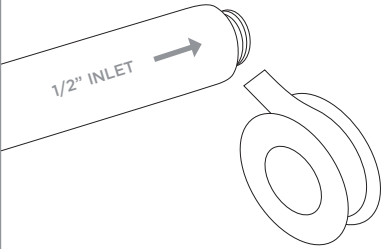
Before installing, Rough-in plumbing must be completed. The position of your Pot Filler Tap should be considered prior to starting. When fully extended from the wall, the reach of the Pot Filler Tap is 24". Choose a position on the wall that allows the Pot Filler Tap to reach the furthest cooking position (Fig. 1). We recommend aligning the Pot Filler Tap to either the left or right side of the cooking surface. The Rough-in should be installed at minimum 13" from the cooking surface (Fig. 2). We recommend a height of no more than 18".



Rough-In Installation

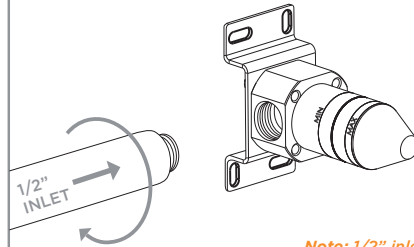
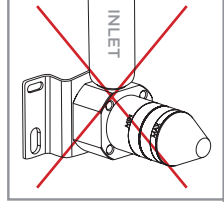
Step 1

Wrap the 1/2" inlet with Teflon tape.
Note: Wrap in the direction of the threads fully 2-3 times.



Step 2

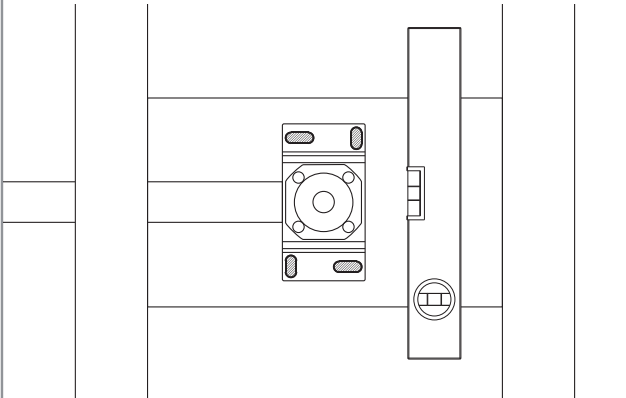
Thread the housing onto 1/2" inlet.
Rough-in should only be installed where the inlet connects on the left or right. Never install with the inlet opening on the inlet housing pointed upward or downward.



Note: 1/2" inlet threading not provided.

Step 3

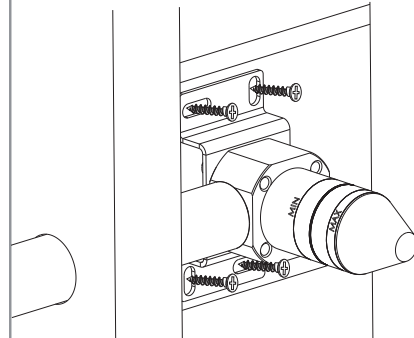
Ensure mounting bracket is oriented properly and level along the vertical scale shown below.



Step 4

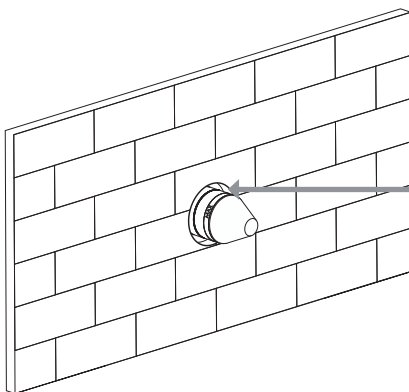
Use the minimum and maximum marks on the inlet housing cover to ensure proper position of the inlet housing once installed.
Note: Secure the mounting bracket to wall stud.

Note: Ensure minimum and maximum lines on inlet housing cover are properly positioned before mounting, taking into account the depth of the sheet rock and any backsplash. Maximum line will need to be visible once backsplash is installed to ensure proper installation.



Step 5

Leave inlet housing cover in place until Pot Filler is installed.

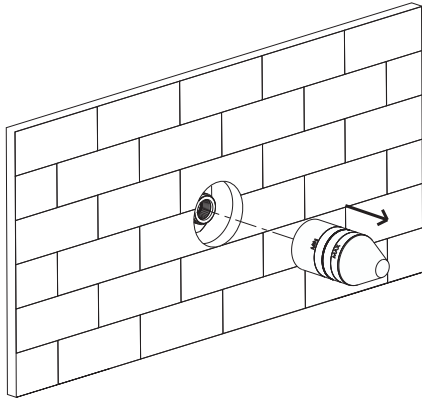


Wall/Tile opening is a minimum 1-3/8" and maximum 1-3/4"

Pot Filler Installation

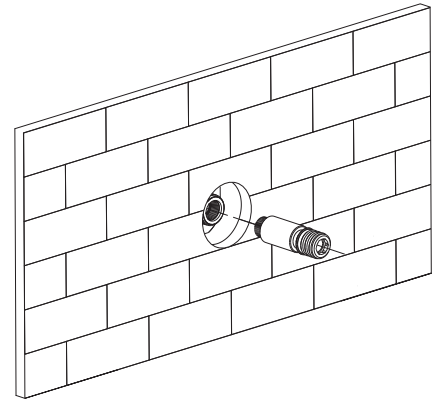
Step 1

Remove inlet housing cover.



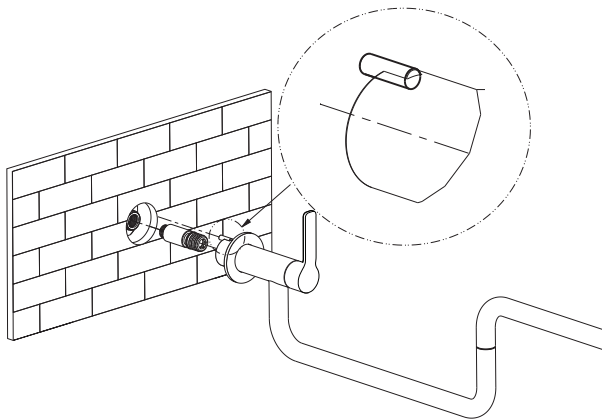
Step 2

Insert the Pot Filler trim piece into the inlet housing. Using 10mm Allen Key, firmly tighten the inlet housing.



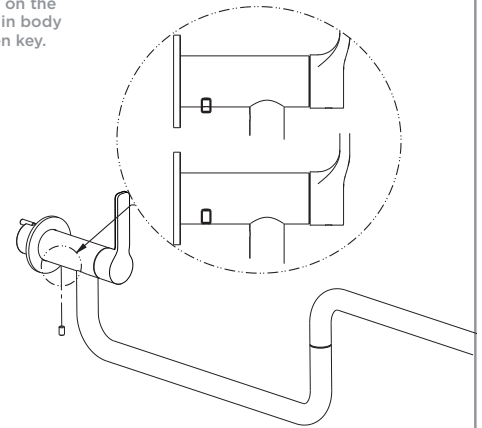
Step 3

Install Pot Filler Tap onto the trim piece with the centering pin positioned on the top right.



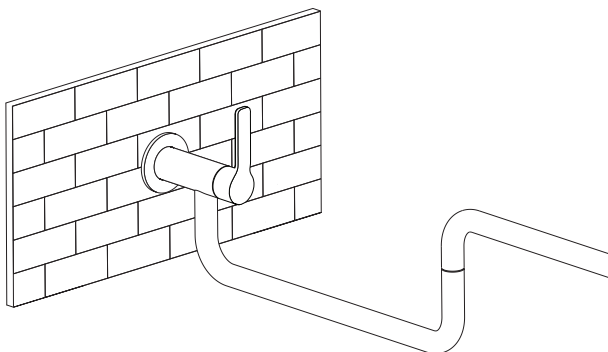
Step 4

With Pot Filler installed, secure it by using the set screw located on the bottom of the main body with a 2.5mm allen key.



Step 5

Fully extend and articulate the arm to ensure the Pot Filler is securely fastened to the inlet housing.



Pot Filler Usage

- Pot Filler Tap turns on by rotating handle counter clockwise (Fig. 1).

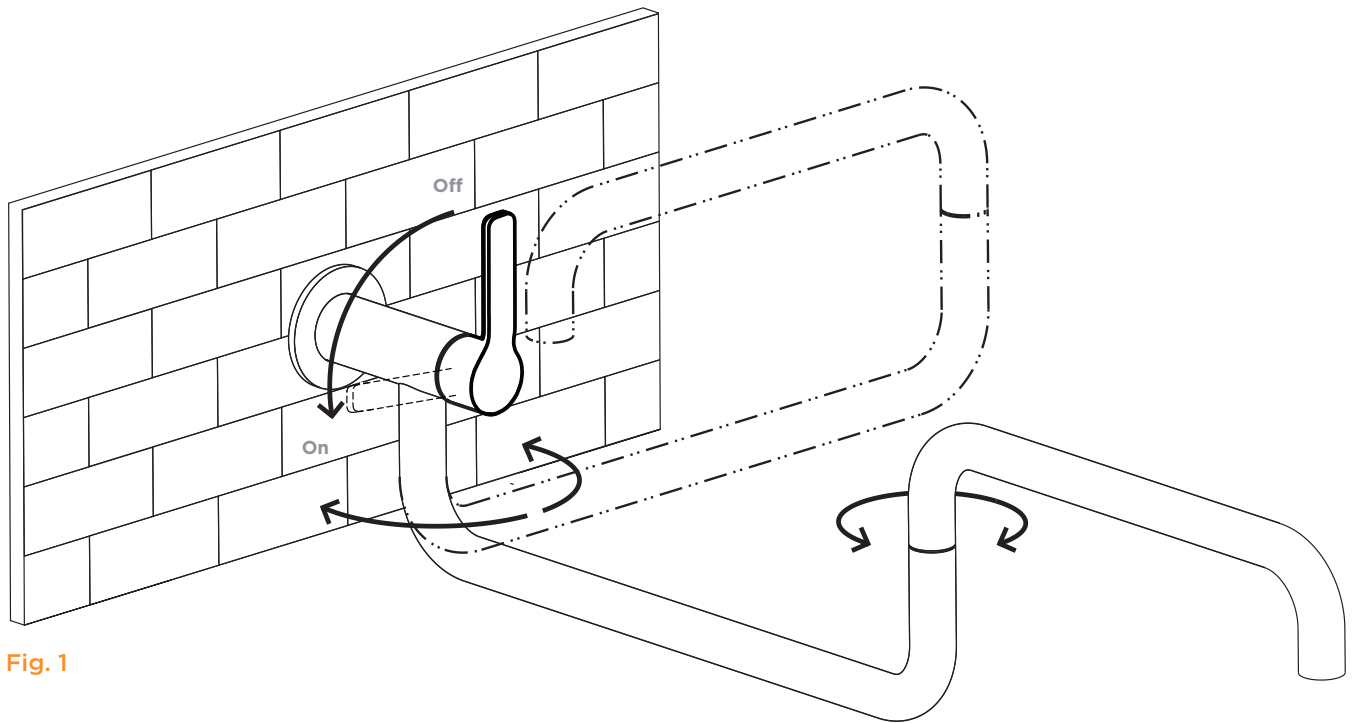
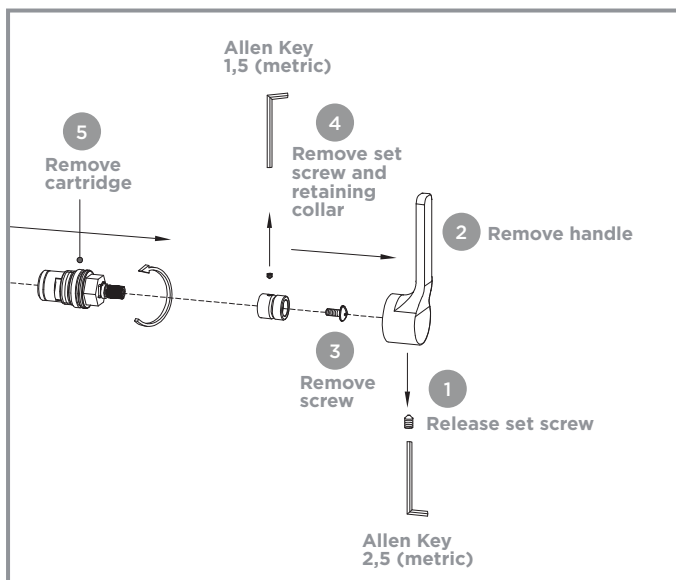


Fig. 1

Maintenance: Cartridge Replacement



Maintenance: Outdoor Installation

Important - Your outdoor Galley Pot Filler Tap must be winterized if temperature falls below freezing in your area.

WINTERIZE YOUR GALLEY POT FILLER TAP:

- Turn off water supply and disconnect Hot and Cold Supply Hoses.
- Open handle to drain any water; drain completely.

Care and Cleaning the Galley Tap Finishes

ABOUT OUR FINISHES:

The Galley Tap is made of solid stainless steel. This finish has NO PROTECTIVE COATING on it. Stainless steel is by its material nature very tarnish-resistant, but by no means tarnish or stain proof. This finish will react to it's environment over time. Cleaners that contain bleach may cause rust. Keep your Galley Tap wiped clean and dry, and use only a cleaner specifically made for stainless steel. Trapped moisture on the surface of your finish can lead to staining. Astringent cleaners, chlorine, bleach, and acidic-based organic cleansers are potentially harmful to stainless steel finishes.

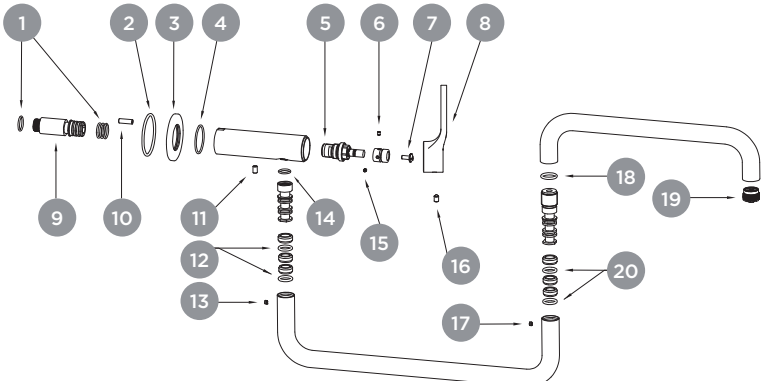
IMPORTANT NOTICE:

It is the responsibility of the customer to check for any material finish defects BEFORE installation.

SUGGESTED FINISH MAINTENANCE PROCEDURE:

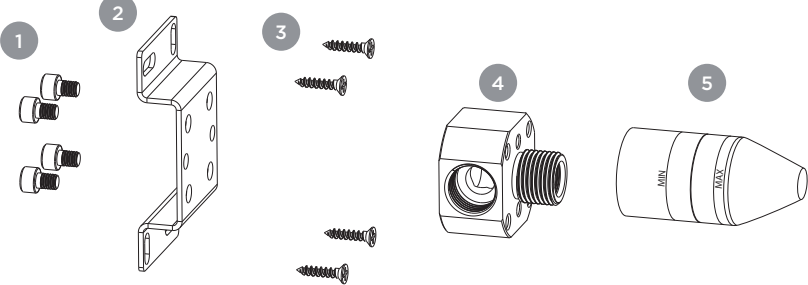
1. Do not allow water spots to dry on the fixture. Keep the surface clean and dry after use.
2. Periodic cleaning can be done by applying a stainless steel cleaner with a soft, clean cloth to gently remove surface spots and brighten the finish. For PVD finishes, clean with a soft, warm, damp cloth.
3. Never use cleaners with bleach, abrasives or vinegar. Never use any type of abrasive cleaning pad.

Pot Filler Replacement Parts



* XXX Represents Finish		
1.	O-Rings	O.027
2.	O-Ring	O.022
3.	Trim Ring	B.868 M-XXX*
4.	O-Ring	O.032
5.	Anti-clockwise valve G 3/8"	S.376 US
6.	Set screw	A.391
7.	Stainless Steel Screw	A.307
8.	Handle	F.018-XXX*
9.	Trim H59	B.871
10.	Steel plug insert	A.226
11.	Flat head set screw	A.278
12.	O-Ring	O.048
13.	Set screw	A.329
14.	O-Ring	O.028
15.	Set screw	A.391
16.	Set screw	A.141
17.	Set screw	A.329
18.	O-Ring	O.005
19.	Laminar Flow aerator	A.403
20.	O-Rings	O.048

Rough-In Replacement Parts



1.	Housing screws	A.176
2.	Mounting bracket	
3.	Wood screws	A.407
4.	Pot Filler inlet housing	
5.	Inlet housing cover	

The Galley Tap - Limited Lifetime Warranty

1. GALLEY TAP LIMITED LIFETIME MECHANICAL WARRANTY —

Seller provides a Limited Lifetime Mechanical Warranty. Seller warrants its products, installed in a residential application, to be free from manufacturing defects in materials and workmanship under normal usage for the useful life of the product. This Limited Lifetime Mechanical Warranty is subject to the warranty conditions and limitations as set forth below.

2. GALLEY TAP LIMITED LIFETIME FINISH WARRANTY —

Seller provides a Limited Lifetime Finish Warranty. For the following Finishes: Polished Stainless Steel, Matte Stainless Steel, PVD Satin Black Stainless Steel, PVD Gun Metal Gray™ Stainless Steel, PVD Polished Rose Gold Stainless Steel and PVD Brushed Gold Stainless Steel, seller warrants its finishes, installed in a residential application, to be free from manufacturing defects in materials or workmanship for the useful life of the product. Please refer to the Seller's Care Instructions for the proper maintenance of Seller's finishes. This Limited Lifetime Finish Warranty is subject to the warranty conditions and limitations as set forth below.

3. WARRANTY CONDITIONS AND LIMITATIONS —

Seller's Mechanical and Finish warranties are non-transferable and are strictly limited to products correctly installed using our installation instructions and used in a residential environment. Mechanical or finish problems which result from abuse, misuse, improper installation, improper maintenance, (including not properly winterizing the Tap in outdoor installations), improper cleaning, proximity to bodies of saltwater, or accidental damage such as scuffs and scratches are not covered by this warranty. Seller does not assume liability for labor charges, removal and reinstallation expenses, freight or postage charges, or injuries resulting from a defective product. This warranty does not allow recovery of incidental or consequential damages such as loss of use, property damage, or any other consequential damage and Seller accepts no liability for such damage. Seller does not assume any responsibility other than to repair or replace the defective part(s) after Seller, upon its examination, has determined the product to be defective and the defective part(s) are covered by the Limited Lifetime Warranty expressed in this warranty. Whether to repair or replace the product shall be at the sole election of the Seller. In no event shall the liability of The Galley exceed the purchase price of the Tap. The use of Plumber's Putty will void this warranty. A non-corrosive epoxy silicone sealing compound may be used. Seller hereby disclaims all other warranties, expressed or implied, other than those set forth in this warranty. Some states do not allow the exclusion or limitation of incidental or consequential damages, so the above limitation or exclusion may not apply to you. This warranty gives you specific legal rights and you may also have other rights which vary from state to state.

4. CARE AND MAINTENANCE —

For care and maintenance instructions of all Galley products, please refer to the Use and Care section on thegalley.com.

5. WARRANTY CLAIMS —

These warranties are in effect for Seller's Products purchased on January 1st, 2017 and thereafter. For warranty claims, please contact your Authorized Galley Dealer, or you may write to:

The Galley, LLC.
Attn: Warranty Claims
12626 South Memorial Drive
Bixby, OK 74008

Please include the original receipt with a description of the problem, model number, store, date of purchase, your name, address and telephone number.



Corporate Headquarters

The Galley, LLC.
12626 South Memorial Drive
Bixby, OK 74008
800.375.4255
thegalley.com