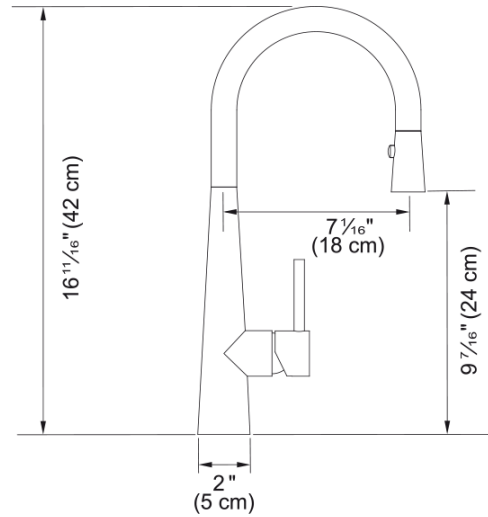


# Steel Prep Faucet - STL-PR-304 | 115.0355.506



## Technical Data

### Aspect

Spout type	J - spout
Color	Stainless steel
Type of material	Stainless steel 304
Flexible pullout hose material	Textile
Spray head material	Stainless steel

### Product Dimensions

Faucet hole diameter	35 mm
Cartridge dimension	35 mm

### Installation

Mounting type	Shank
Water supply hose connection	1/2"
Water supply hose length	800 mm

### Product specifications

Pressure	High pressure
Faucet type	Spray
Faucet operation	Side lever
Faucet rotation	360°

### Product identification

Product brand	FRANKE
Product family	Mythos
Collection	Steel

### Features

Water saving feature	No
Type of aerator	Honeycomb