

24" Recessed Handle ADA-compliant Dishwasher



BOSCH
Invented for life

300 Series – Stainless Steel SGE53C55UC



SGE53C55UC
Stainless Steel

Also available in:

White SGE53C52UC

Black SGE53C56UC

This lower height dishwasher is ADA Compliant for ease of use.

Features & Benefits

46 dBA: dishwasher runs quietly so your kitchen conversations aren't interrupted.

Get hands-free voice operation with Amazon Alexa or Hey Google, smart reordering of detergent tabs via the Amazon Alexa app, plus so much more—all with the Home Connect™ app on your smartphone.

The RackMatic® adjustable upper rack can be lifted and lowered to fit taller dishes.

The Favorite button allows you to easily access your preferred cycle/option combination with 1 touch.

AquaStop Plus® detects leaks with a dual sensor system, and then contains them for premium protection.

General Properties

Number of wash cycles	5
Number of options	5
Special Program	Machine Care
dBA	46
Drying system	PureDry
Third rack	No
Rack adjustability	3-step RackMatic®
Tub material	Stainless steel
Control type	Buttons
Concealed water heating element	Yes
Leak protection system	24/7 AquaStop® Plus
Water softener	Yes
Five-level wash	Yes
ChildLock	Yes
Home Connect™ (Wi-Fi enabled)	Yes
Special features	24h delay start, Favorite button

Efficiency

Water usage per cycle	3.2 gal
Energy efficiency class	Tier 1
ENERGY STAR® certified	Yes
Total annual energy consumption	240 kWh
Total annual water consumption	494 gal

Capacity

Number of place settings	13
--------------------------	----

Technical Details

Watts	1440 W
Current	12 Amps
Volts	120 V
Frequency	60 Hz
Power cord full length	67"
Power cord install length from edge of unit when facing the door	Left – 47 1/4" Right – 47 1/4"
Minimum water pressure	7 lb/sin
Length inlet hose	65"
Length outlet hose	74 3/4"

Dimensions & Weight

Overall appliance dimensions (HxWxD)	32 1/16" x 23 9/16" x 22 9/16"
Required cutout size (HxWxD)	32 1/8" x 24" x 24"
Adjustable feet	Yes
Net weight	83 lbs

Accessories—Optional

Junction Box	SMZPCJB1UC
Dishwasher Softener Salt (4.4 lbs)	SGZ9091UC
Dishwasher Drain Hose Extension 76 3/4"	SGZ1010UC
Accessory Kit	SMZ5000
Anti-tarnish Silverware Cassette	SMZ5002UC
Edge Protector + Power Cord Clip Install Kit	SMZEPCC1UC



Accessories: To purchase Bosch accessories, cleaners & parts please visit www.bosch-home.com/us/store or call 1-800-944-2904 (Mon to Fri 5 am to 6 pm PST, Sat 6 am to 3 pm PST).

Notes: All height, width and depth dimensions are shown in inches. BSH reserves the absolute and unrestricted right to change product materials and specifications, at any time, without notice. Consult the product's installation instructions for final dimensional data and other details prior to making cutout.

Warranties: Please see Use & Care manual or Bosch website for statement of limited warranty.

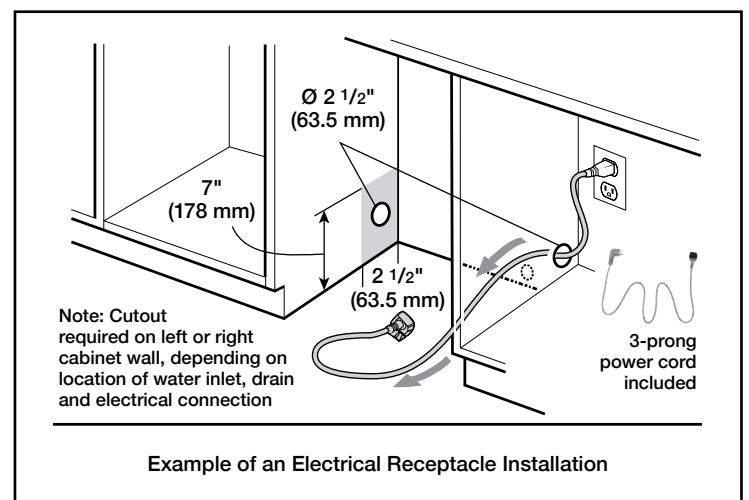
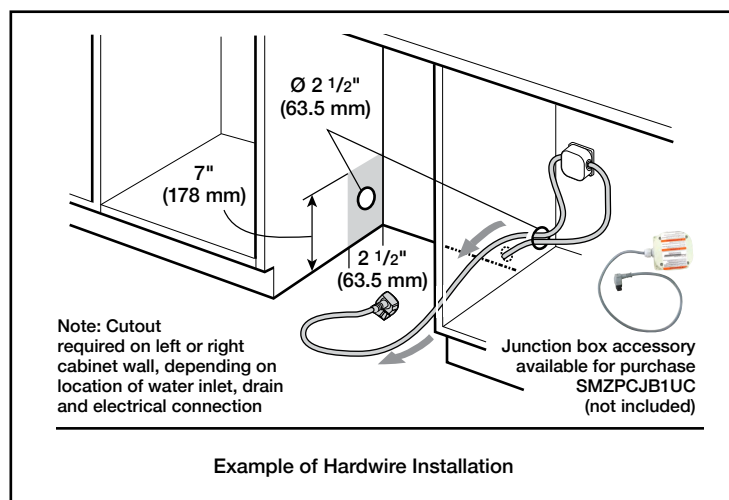
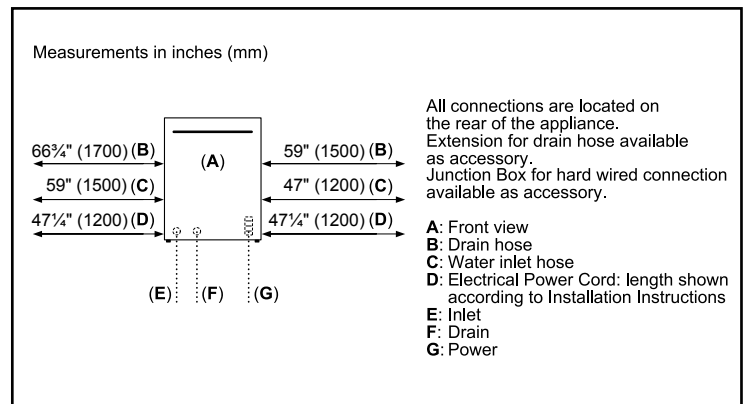
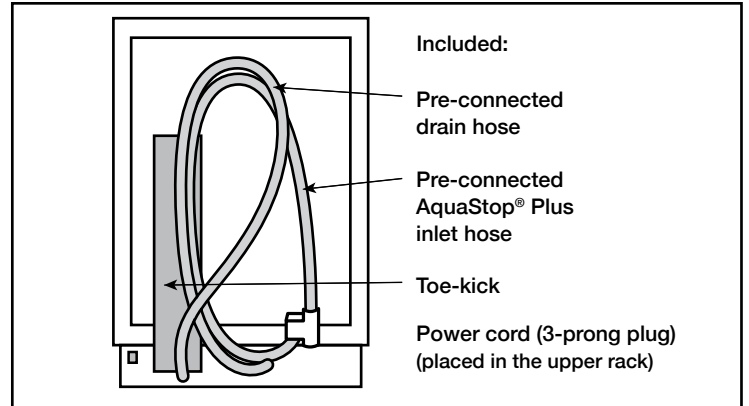
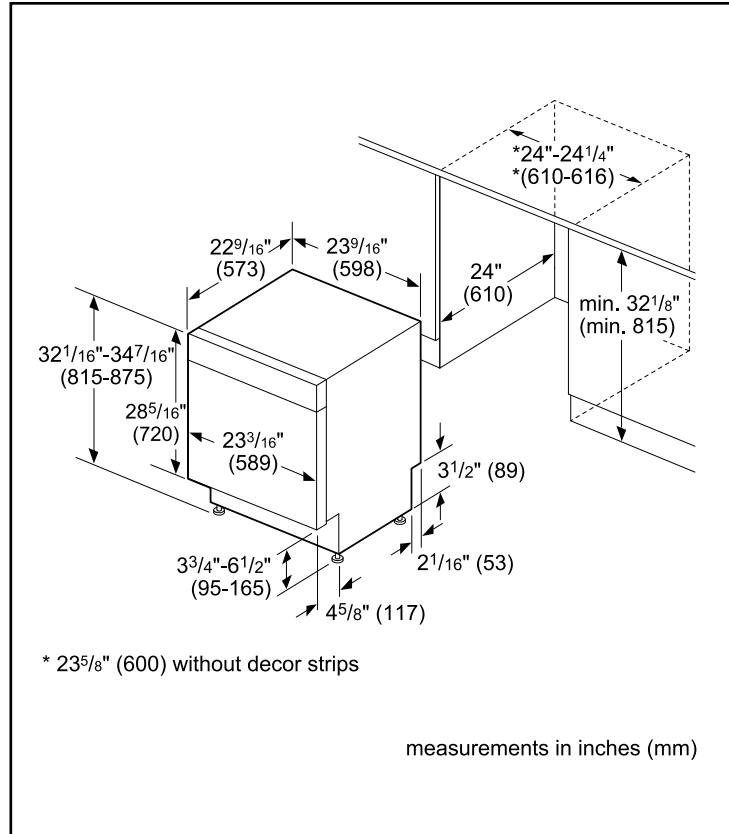
For more information on our entire line of products, go to www.bosch-home.com/us or call 1-800-944-2904

© BSH Home Appliances Corporation. All rights reserved. Bosch is a registered trademark of Robert Bosch GmbH.

24" Recessed Handle ADA-compliant Dishwasher

300 Series – Stainless Steel SGE53C55UC

Installation Details



Accessories: To purchase Bosch accessories, cleaners & parts please visit www.bosch-home.com/us/store or call 1-800-944-2904 (Mon to Fri 5 am to 6 pm PST, Sat 6 am to 3 pm PST).

Notes: All height, width and depth dimensions are shown in inches. BSH reserves the absolute and unrestricted right to change product materials and specifications, at any time, without notice. Consult the product's installation instructions for final dimensional data and other details prior to making cutout.

Warranties: Please see Use & Care manual or Bosch website for statement of limited warranty.

For more information on our entire line of products, go to www.bosch-home.com/us or call 1-800-944-2904

© BSH Home Appliances Corporation. All rights reserved. Bosch is a registered trademark of Robert Bosch GmbH.

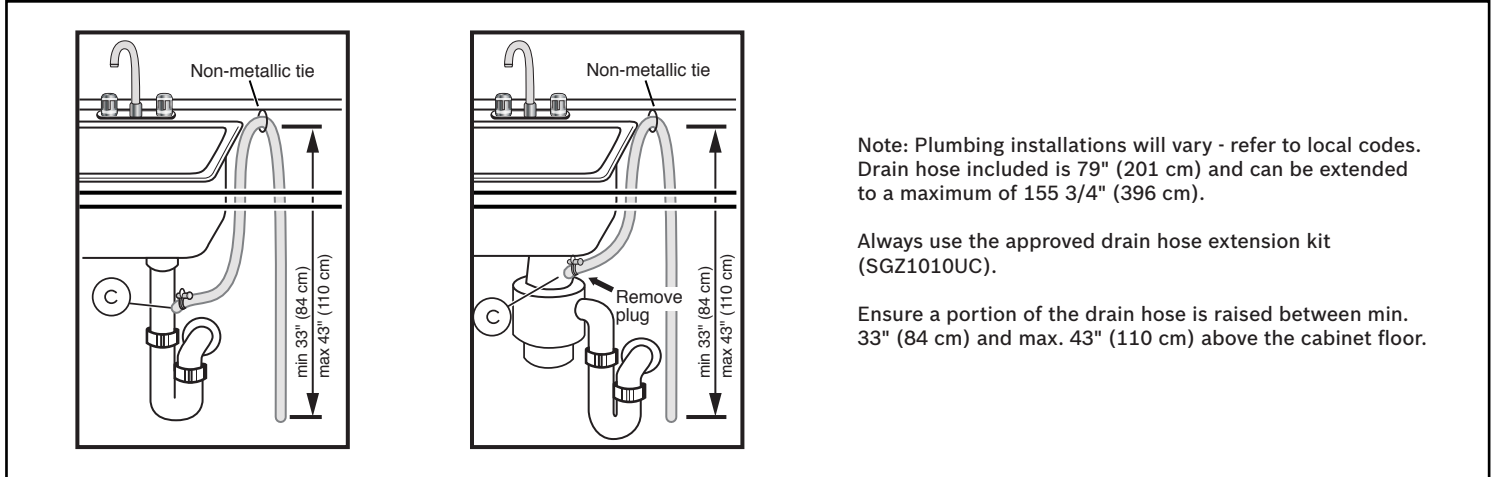
24" Recessed Handle ADA-compliant Dishwasher



BOSCH
Invented for life

300 Series – Stainless Steel SGE53C55UC

Installation Details



Accessories: To purchase Bosch accessories, cleaners & parts please visit www.bosch-home.com/us/store or call 1-800-944-2904 (Mon to Fri 5 am to 6 pm PST, Sat 6 am to 3 pm PST).

Notes: All height, width and depth dimensions are shown in inches. BSH reserves the absolute and unrestricted right to change product materials and specifications, at any time, without notice. Consult the product's installation instructions for final dimensional data and other details prior to making cutout.

Warranties: Please see Use & Care manual or Bosch website for statement of limited warranty.

For more information on our entire line of products, go to www.bosch-home.com/us or call 1-800-944-2904

© BSH Home Appliances Corporation. All rights reserved. Bosch is a registered trademark of Robert Bosch GmbH.