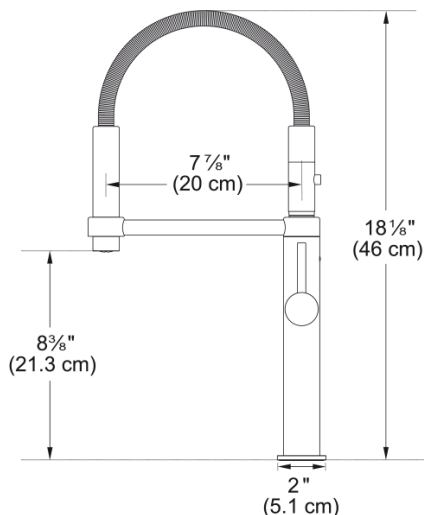


Pescara Semi-Pro Faucet - PES-360-SNI | 115.0395.997



Technical Data

Aspect

| | |
|--------------------------------|-----------------------|
| Spout type | S - semi-professional |
| Color | Satin nickel |
| Type of material | Brass |
| Flexible pullout hose material | Metal |
| Spray head material | Stainless steel |

Product Dimensions

| | |
|----------------------|-------|
| Faucet hole diameter | 35 mm |
| Cartridge dimension | 28 mm |

Installation

| | |
|------------------------------|--------|
| Mounting type | Shank |
| Water supply hose connection | 1/2" |
| Water supply hose length | 650 mm |

Product specifications

| | |
|------------------|---------------|
| Pressure | High pressure |
| Faucet type | Spray |
| Faucet operation | Side lever |
| Faucet rotation | 360° |

Product identification

| | |
|----------------|---------|
| Product brand | FRANKE |
| Product family | None |
| Collection | Pescara |

Features

| | |
|----------------------|-------|
| Water saving feature | Yes |
| Type of aerator | Cache |