

# RS-W10D2/D4

10" R-Series Shallow Subwoofer



## PRODUCT OVERVIEW

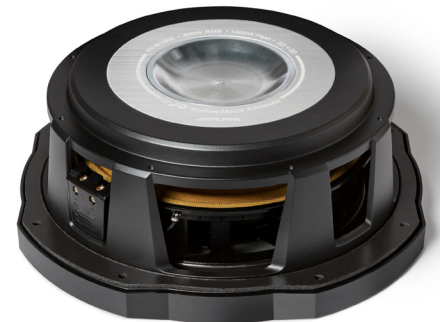
With an ultra-shallow subwoofer design and powerful sound output, the R-Series Shallow Subwoofers give you the best of both worlds in size and sound.

## PRODUCT FEATURES

**Ultra-Shallow Design** – Alpine's R-Series Shallow Subwoofer delivers the same fun and loud sound you've come to expect, now in a shallow subwoofer that's designed to fit in most vehicle applications.

**Extreme Output** – Don't let the size fool you – the enclosures feature the same motor movement (20MM of 1-way excursion) as the full-size R2-Series Subwoofers for extreme output in a shallow woofer design.

**Reliable Performance** – Integrated cooling fins located in the core of the subwoofer help dissipate the heat generated by the large 4-inch foil coil for enhanced cooling reliability and hours of uninterrupted playtime.

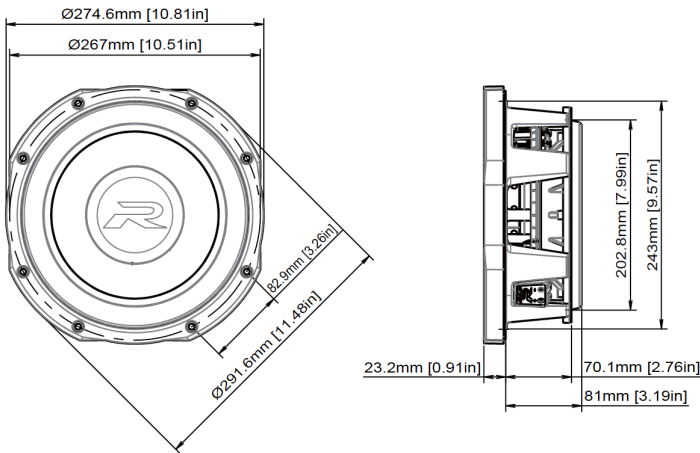


## RECOMMENDED AMPS



# RS-W10D2/D4

10" R-Series Shallow Subwoofer



## OVERVIEW FEATURES

- 10" High-Performance Shallow Bass Driver
- Neodymium Magnet
- Alpine Gen2 DD Linear Magnetic Circuit
- Aluminum Dust Cap
- Cast Aluminum Frame

## TECH SPECS

- **Mounting Depth:** 3.25"
- **Power Range:** 500W-600W RMS
- **Power Handling:** 600W RMS / 1800W Peak
- **Frequency Response:** 25Hz-100Hz
- **Magnet Weight:** 10.4 oz
- **Voice Coil:** 4" (100mm)

## RS-W10D2 - THIELE-SMALL PARAMETERS

- **Sensitivity (1W/1m):** 79 dB
- **DC Resistance ( $R_e$ ):**  $1.8\Omega + 1.8\Omega$
- **Free Air Resonance ( $F_s$ ):** 30 Hz
- **Equivalent Stiffness:** 20.64 L
- **Mechanical Q ( $Q_{ms}$ ):** 6.67
- **Electrical Q ( $Q_{es}$ ):** 1.11
- **Total Q ( $Q_{ts}$ ):** 0.95
- **Cone Area ( $S_d$ ):**  $380\text{ cm}^2$
- **Linear Excursion ( $X_{max}$ ):** 20 mm
- **Mechanical Travel ( $X_{mech}$ ):** 54 mm

## BOX SPECS

### SEALED BOX RANGE:

Net Internal Volume: 0.4 - 1.0 ft<sup>3</sup>

### RECOMMENDED SEALED BOX (SMALL VOLUME):

External Dimensions: 16" x 15" x 6.25"

Gross Internal Volume: 0.54 ft<sup>3</sup>

Net Internal Volume: 0.50 ft<sup>3</sup>

F3, Fb: 32 Hz, 44 Hz

### RECOMMENDED SEALED BOX (MEDIUM VOLUME):

External Dimensions: 18" x 15" x 7"

Gross Internal Volume: 0.79 ft<sup>3</sup>

Net Internal Volume: 0.75 ft<sup>3</sup>

F3, Fb: 28 Hz, 39 Hz

### RECOMMENDED SEALED BOX (LARGE VOLUME):

External Dimensions: 20" x 15" x 8.75"

Gross Internal Volume: 1.04 ft<sup>3</sup>

Net Internal Volume: 1.00 ft<sup>3</sup>

F3, Fb: 28 Hz, 38 Hz

Displacement Volume: 0.04 ft<sup>3</sup>

Hole Cutout Size: 9-5/8" (243 mm)

## RS-W10D4 - THIELE-SMALL PARAMETERS

- **Sensitivity (1W/1m):** 78 dB
- **DC Resistance ( $R_e$ ):**  $3.6\Omega + 3.6\Omega$
- **Free Air Resonance ( $F_s$ ):** 31 Hz
- **Equivalent Stiffness:** 23.35 L
- **Mechanical Q ( $Q_{ms}$ ):** 5.72
- **Electrical Q ( $Q_{es}$ ):** 1.66
- **Total Q ( $Q_{ts}$ ):** 1.19
- **Cone Area ( $S_d$ ):**  $380\text{ cm}^2$
- **Linear Excursion ( $X_{max}$ ):** 20 mm
- **Mechanical Travel ( $X_{mech}$ ):** 54 mm