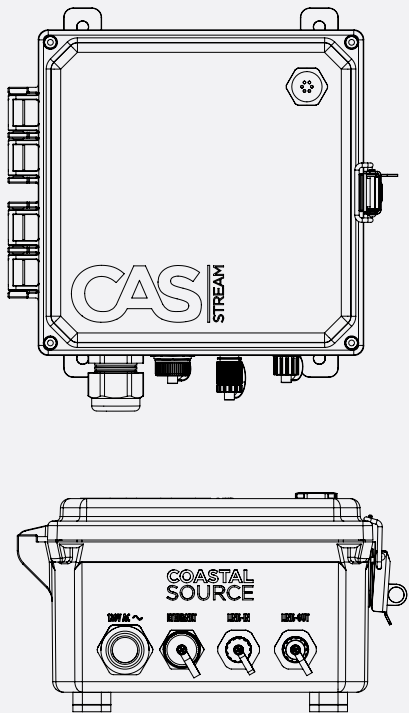


CAS STREAM READY FOR SONOS PORT

The CAS Stream Ready for SONOS Port features a Sonos Port mounting bracket to allow dealers to easily install their own Sonos Port. This system is designed for use in direct burial applications as a Sonos streamer for a CAS amp. Connection from streamer to amplifier will need additional 5pin line level extension cable(s).

NOTE: CAS should always be installed in a shady area, and SONOS devices require shade in order to operate properly.



WHITE



CAS STREAM READY FOR SONOS PORT SPECIFICATIONS

- Size (H x W x D): 10.25in x 10.25in x 5.75in
- Weight: 6.10 lbs with port / 5 lbs without port
- Construction: Polycarbonate & Stainless Steel
- Power In: 120VAC
- Ethernet In: RJ45
- Line-In: Male 5P Connector
- Line-Out: Female 5P Connector
- Wireless Protocol: Sonos (Sonos Port sold separately)
- Mounting: Wall Mount
- Warranty: 5-Year Limited Warranty*

ORDERING INFORMATION

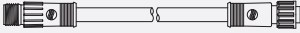
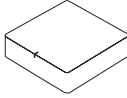
FIXTURE

CASSTRM-SP (CAS STREAM READY FOR SONOS PORT)

CASSTRM-SP

e.g. **CASSTRM-SP** = CAS Stream Ready for SONOS Port

ACCESSORIES

SKU	ITEM	
CxxLL5P	5-Pin Line Level Extension Cables	
SONOSPORT	Sonos Port	

* All Coastal Source products bear a 2-year limited warranty for commercial/non-residential installations.