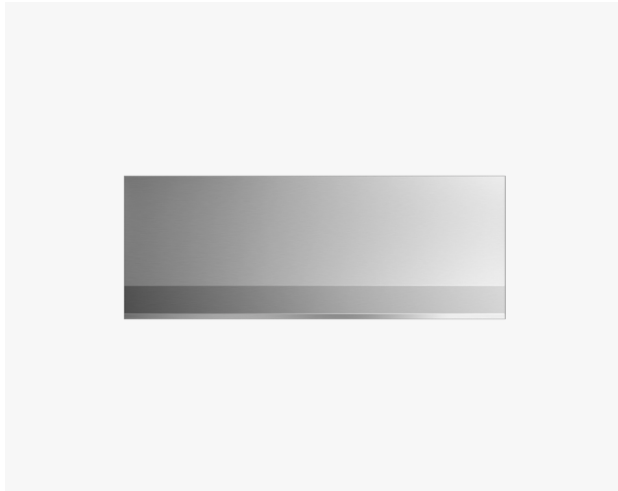


# Wall Range Hood, 48"

Series 9 | Professional

Stainless Steel

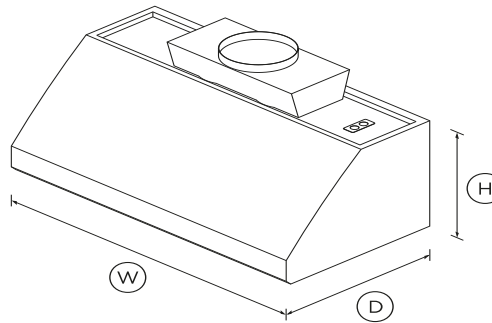


Striking design that pairs well with any appliances in our Professional range. With powerful extraction of steam and odors.

- With four fan speeds, select the perfect extraction rate for your cooking
- Dishwasher-safe filters that are easy to remove and clean
- Powerful 1200CFM maximum airflow

## DIMENSIONS

Height	18"
Width	47 7/8"
Depth	25 1/16"



## FEATURES & BENEFITS

### SIMPLE DESIGN

The new stainless steel range hood is tough and hardworking with a style and simplicity to fit seamlessly into your kitchen.

### EDGE TO EDGE FILTERS

We've improved our filters to capture and extract more cooking steam, odors and grease.

### PRECISE CONTROL

The Professional Range Hood has been designed to give you

better control with sturdy stainless steel dials to set your desired fan speed and light level.

### EFFECTIVE EXTRACTION

Our Range Hood filters have been improved to capture more cooking steam, odors and grease. They're easy to remove and clean - simply put them in your DishDrawer™ dishwasher.

### HEAT LAMP

Accessorize your kitchen and cook like a pro by adding our contemporary heat lamps to your 36" or 48" range hood.

### YOUR KITCHEN, YOUR STYLE

Enhance your culinary experience in the kitchen with our Range Hood accessories from heat lamps through to duct covers. Choose a range hood to fit your kitchen - there are three different sizes.

## SPECIFICATIONS

### Accessories

12" Vertical duct cover	HCC4812
6" Vertical duct cover	HCC4806
Infrared warming lights	HIR48
Light bulb	104176P

### Installation and cleaning

Air outlet size	2 x 8"
Dishwasher safe filters	3
Ducted	Top extraction
Metal transition to ductwork	Optional - Transition HTRN10
Recirculation	Ducted only

### Performance

Extraction type	Surface
-----------------	---------

Fan speeds	4
Filter type	Stainless Steel Baffle

Paykel's Customer Care Centre to ensure this page correctly describes the model currently available. ? Fisher & Paykel Appliances Ltd 2020

**Power requirements**

Lighting power	50W
Motor power	910W
Supply voltage	120V
Total Power	1060W

**Product dimensions**

Depth	25 1/16"
Height	18"
Width	47 7/8"

**Product information**

Control type	Rotary switch
--------------	---------------

**Ventilation features**

Dimmable lights	•
Light type	Halogen

**Warranty**

Parts and labor	2 years
-----------------	---------

SKU	50105
-----	-------

The product dimensions and specifications in this page apply to the specific product and model. Under our policy of continuous improvement, these dimensions and specifications may change at any time. You should therefore check with Fisher &

**Other product downloads available at fisherpaykel.com**

- [↓](#) User Guide
- [↓](#) Service & Warranty
- [↓](#) Installation Guide



**A PEACE OF MIND SALE**

24 Hours 7 Days a Week Customer Support

T 1.888.936.7872 W [www.fisherpaykel.com](http://www.fisherpaykel.com)