

DW80CG4051SR

SAMSUNG

Fingerprint Resistant 51 dBA Dishwasher with 3rd Rack



Available Colors



Fingerprint Resistant
Stainless Steel
DW80CG4051SR

Features

- 3rd Rack
- AutoRelease™ Door
- Stainless Interior Door
- 51 dBA Noise Level
- Hidden Touch Controls
- Height-Adjustable Upper Rack
- Fingerprint Resistant Stainless Finish
- 3 Spray Wash Arms (Upper, Middle, Lower)

Convenience

- Control Lock
- Delay Start
- Digital Leak Sensor
- Silverware Basket
- 15 Place Settings
- Foldable Cup Shelves

Additional Specifications

4 Wash Cycles: Auto, Normal, Heavy, Express 60

4 Options: Delay Start, Heated Dry, Sanitize (NSF Certified), Hi-Temp Wash

Rating



ENERGY STAR®
Rated:

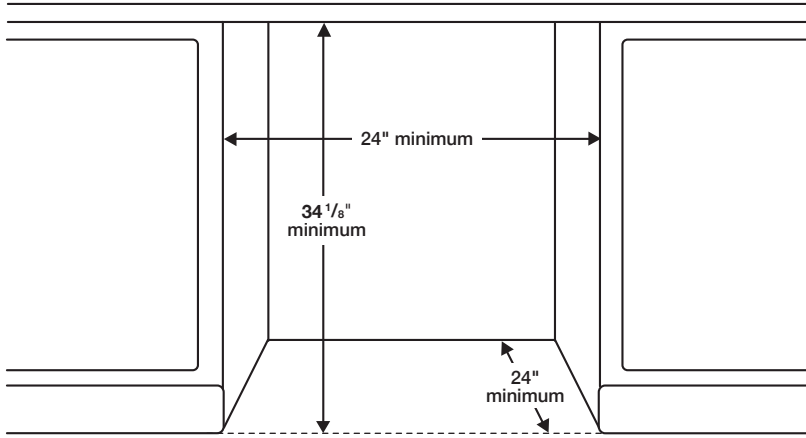
239 kWh/yr

DW80CG4051SR

SAMSUNG

Fingerprint Resistant 51 dBA Dishwasher with 3rd Rack

Installation Specifications



Dimensions

Product Dimensions & Weight (WxHxD)

Dimensions: 23 3/4" x 33 3/4" x 24 3/4"

Weight: 71 lbs

Shipping Dimensions & Weight (WxHxD)

Dimensions: 26" x 35" x 29 1/8"

Weight: 82 lbs

Warranty

One (1) Year Parts and Labor

Five (5) Years Limited on Printed Circuit Board

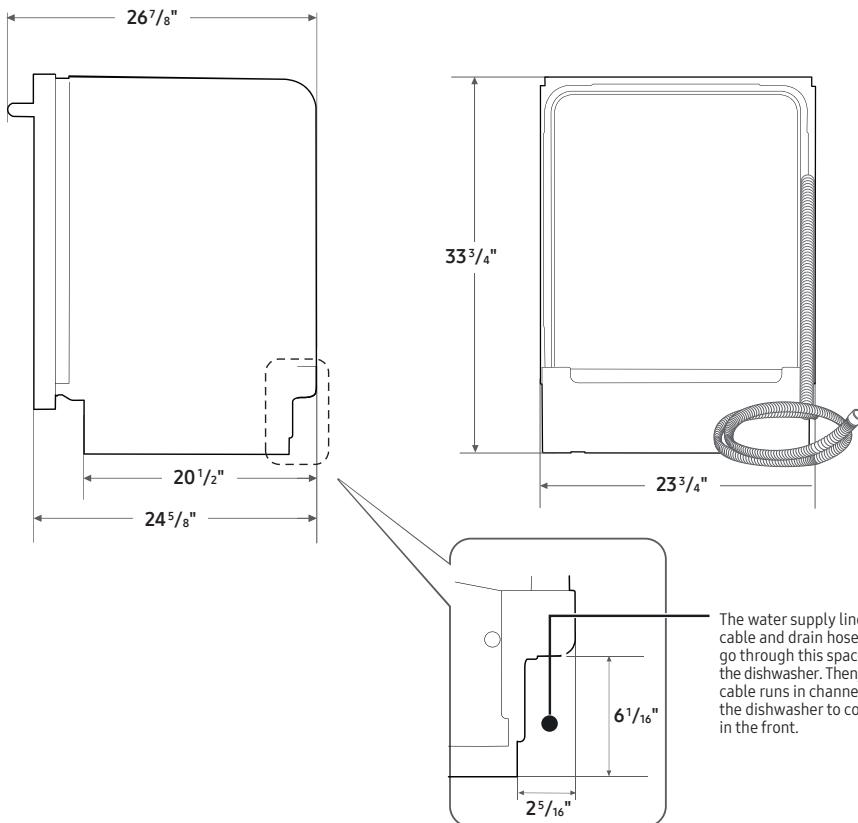
UPC

Color	Model #	UPC Code
Fingerprint Resistant Stainless Steel	DW80CG4051SRAA	887276772905

Dimensions

Side View

Rear View



Actual color may vary. Design, specifications, and color availability are subject to change without notice. Non-metric weights and measurements are approximate.

©2023 Samsung Electronics America, Inc. 85 Challenger Road, Ridgefield Park, NJ 07660. Tel: 800-SAMSUNG. samsung.com. Samsung is a registered trademark of Samsung Electronics Co. Ltd.