

# FISHER & PAYKEL

## SPECIFICATION GUIDE

## BUILT-IN COFFEE MAKER, 30"



### OVERVIEW

Designed to complement our Professional style oven and warming drawer, this built-in coffee maker seamlessly integrates into any kitchen design with a stylish stainless steel finish. Beautiful to use, it has an intuitive touch display with 13 different beverage options to suit individual taste and selection – from Espresso to Latte. Pair with other companion products to create a kitchen suite for every need.

### MODELS

#### Built-in Coffee Maker, 30"

Stainless steel  
EB30PSX1

### SERIES & STYLE

Series 9  
Professional Style

### FEATURES

- ① Part of our suite of companion products, designed to match aesthetically for flexible configurations
- ② Pairs perfectly with the Professional style 30" Oven and Warming Drawer
- ③ Intuitive touch display for ease of use
- ④ 13 beverage options to suit individual taste and selection – from Americano to Latte
- ⑤ Favorite coffee can be memorized and set to start at the same time each day
- ⑥ Stainless steel conical burr grinder with 13 grind coarseness positions
- ⑦ Self-cleaning function, with a removable drip tray and waste container
- ⑧ 84.5 fl oz water tank capacity
- ⑨ 15 bar pump pressure
- ⑩ Adjustable coffee strength, temperature and coffee cup sizes

### ACCESSORIES

- ① Thermal milk jug
- ② Extractable steam outlet
- ③ Coffee spoon
- ④ Descaling agent and water filter

# FISHER & PAYKEL

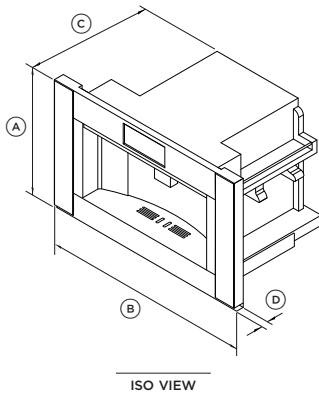
## SPECIFICATION GUIDE

## BUILT-IN COFFEE MAKER, 30"

### SPECIFICATIONS

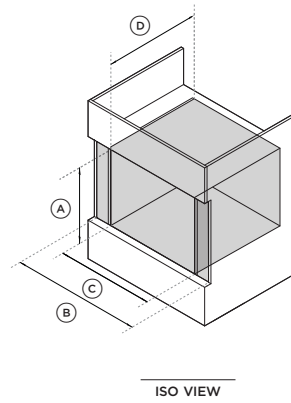
<b>Model No.</b>	EB30PSX1
<b>Dimensions</b>	H 18 1/12" (470mm) x W 29 13/16" (757mm) x D 19 1/16" (484mm)
<b>Electrical</b>	
<b>Supply</b>	120V 50/60Hz
<b>Service</b>	10 Amp circuit
<b>Receptacle</b>	Flex cord

### PRODUCT DIMENSIONS



	in	mm
Ⓐ Overall height of coffee maker	18 1/2	470
Ⓑ Overall width of coffee maker	29 13/16	757
Ⓒ Overall depth of coffee maker	19 1/16	484
Ⓓ Depth of coffee maker front frame and control panel	1 9/16	39

### CAVITY DIMENSIONS: STANDARD INSTALLATION



	in	mm
Ⓐ Minimum inside height of cavity*	18 3/8	467
Ⓑ Overall width of cabinetry	30	762
Ⓒ Inside width between additional side walls**	22 1/16	560
Ⓓ Minimum depth of cavity measured from rear of front panel	22 1/16	560

\*A 5/8" (16mm) spacer must be installed in the base of the cavity, see installation guide for details.

\*\*Cabinetry requires additional vertical sidewalls to secure the product.

Note: Ventilation required at the rear of the cavity.