

Convection Speed Oven, 30"

Series 9 | Professional

Stainless Steel

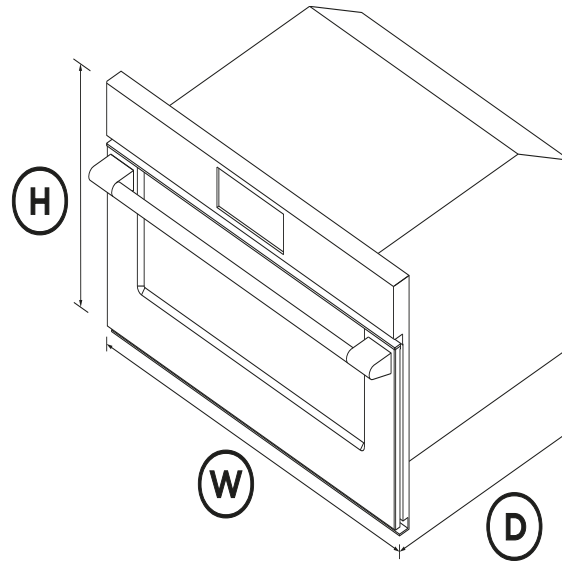


Designed to complement the Professional-style kitchen with a robust stainless steel aesthetic, this Convection Speed Oven provides a variety of fast cooking options including True Convection and Broil.

- 1.3 cu ft total capacity
- Intuitive display with nine oven functions
- Full width grill function
- Easy clean interior

DIMENSIONS

Height	18 1/2"
Width	29 13/16"
Depth	20 13/16"



FEATURES & BENEFITS

SIZED TO SUIT

This compact 30" Convection Speed Oven can be placed almost anywhere. Companion products share the same dimensions and can be installed in multiple configurations to suit your kitchen design and preference.

COOKING FLEXIBILITY

Choose from nine cooking modes including True Convection and Broil. With both microwave and convection oven technology in the same oven, you have more flexibility for your culinary creations.

EASY TO USE

The intuitive touch display shows you all the information you

need, allowing you to easily program in your desired cooking mode and duration.

BEAUTY OF CHOICE

With bold styling that would be at home in a commercial kitchen, Professional-style Companion products help you to create a coherent, distinctive aesthetic in your kitchen.

EASY CLEANING

This Convection Speed Oven has formed side racks and a stainless steel interior that are easy to clean.

SAFE AND SOUND

The CoolTouch door is safe to touch from the outside, protecting your hands and the surrounding cabinetry.

SPECIFICATIONS

Accessories

Baking pan	1
Glass turntable	1
Wire shelf	1

Capacity

Shelf positions	3
Total capacity	1.3cu ft

Cleaning

Easy clean stainless steel	•
----------------------------	---

Consumption

Microwave energy	1.65kWh
------------------	---------

Controls

- Automatic cooking/minute
- Automatic pre-set
- Celsius/Fahrenheit
- Delay start
- Electronic capacitive touch
- Electronic clock
- Electronic oven control
- Guided cooking by food type
- Halogen lights
- Intuitive touchscreen display
- Multi-language display **French, Spanish, UK English,**
- Multi-language interface
- Precise electronic temperature
- Recipe and food based

Power requirements

Amperage	15A
Supply frequency	60Hz
Supply voltage	208 - 240V

Product dimensions

Depth	20 13/16"
Height	18 1/2"
Width	29 13/16"

Safety

- ADA compliant
- Control panel key lock
- CoolTouch door

Warranty

Parts and labor	2 years
-----------------	----------------

SKU	81929
-----	--------------

The product dimensions and specifications in this page apply to the specific product and model. Under our policy of continuous improvement, these dimensions and specifications may change at any time. You should therefore check with Fisher & Paykel's Customer Care Centre to ensure this page correctly describes the model currently available. ? Fisher & Paykel Appliances Ltd 2020

Other product downloads available at fisherpaykel.com

- [Service & Warranty](#)
- [Installation Guide](#)
- [Specification Guide Speed Oven](#)
- [Data Sheet Speed Oven](#)



A PEACE OF MIND SALE

24 Hours 7 Days a Week Customer Support

T 1.888.936.7872 Wwww.fisherpaykel.com

Functions

- Broil
- Convection Broil
- Defrost by time
- Defrost by weight
- Microwave + broil
- Microwave + ring
- Microwave cooking
- Ring + broil
- True convection

Performance

Broil power	1500W
Microwave power	900W
Microwave power levels	6