

LG STUDIO

SRFB27S3

26.5 cu. ft. Counter Depth 3-Door French Door Refrigerator

26.5 cu. ft. Capacity

Door Cooling+

CoolGuard™

Glide N' Serve™

Smart Diagnosis

ThinQ® Technology with ThinQ Care

ENERGY STAR® Qualified



CAPACITY	
Refrigerator (cu.ft.)	17.9 cu. ft.
Freezer (cu.ft.)	8.6 cu. ft.
Total Capacity (cu.ft.)	26.5 cu. ft.
ENERGY	
Energy Rating	ENERGY STAR® Qualified
Energy Consumption (kWh/Year)	632
WATER & ICE SYSTEM	
Dispenser Type	Internal Water Dispenser
Daily Ice Production (lbs.)	2.5 lbs.
Ice Storage Capacity (lbs.)	4.0 lbs.
Cube & Crushed Ice	Cube Only
Water Filter	LT1000P
COOLING	
Door Cooling+	Yes
CONVENIENCE	
Display Type	Smooth Touch Control / White LED
Temperature Controls	Electronic/Digital
Door Alarm	Yes
Child Lock	Yes
Auto Closing Door Hinge	Yes (Only left door)
Sabbath Mode	Yes
REFRIGERATOR	
No. of Shelves	4 Split (3 Fixed + 1 Folding)
Cantilevered Shelves	Yes (Hybrid Cantilevered)
Shelf Construction	Spill Protector™ Tempered Glass
Crisper Bins	2 Crispers
Glide N' Serve™ Drawer	Yes
CoolGuard™	Yes
REFRIGERATOR DOOR	
Door Bin Construction	1 Piece (Clear)
No. of Bins	8
FREEZER	
Door Type	Pull Drawer
Drawers	2-Tier Organization
Drawer Divider	Yes
Ice Bin / In-Door Ice	Icemaker & Ice bin in the freezer
Freezer Light	Premium LED
Freezer Handle	LG Studio Handle

SMART FEATURES	
Smart Diagnosis	Yes
ThinQ® Technology	Yes
ThinQ Care	Yes
MATERIALS AND FINISHES	
Hidden Hinges	Yes
Surface	Smooth
Fingerprint & Smudge Resistant Exterior	Yes
Handles	Matching LG Studio Handle
All Available Colors	PrintProof™ Stainless Steel
DIMENSIONS/CLEARANCES/WEIGHT	
Depth with Handles	31 5/8"
Depth without Handles	29 1/4"
Depth without Door	24 7/8"
Depth (Total with Door Open)	43 5/8"
Height to Top of Case	68 7/8"
Height to Top of Door Hinge	70 1/4"
Width	35 3/4"
Width (Door Open 90° with Handle)	44 7/8"
Width (Door Open 90° without Handle)	40"
Door Edge Clearance with Handle	4 1/4"
Door Edge Clearance without Handle	2 1/4"
Installation Clearance	Sides 1/8", Top 1", Back 2"
Weight (Unit/Carton)	291 lbs. / 313 lbs.
Carton Dimensions (WxHxD)	38" x 73" x 32"
LIMITED WARRANTY	
Parts & Labor	2 Year
Sealed System (Parts & Labor)	5 Years
Compressor (Parts & Labor)	5 Years
Linear Compressor (Parts Only)	6-10 Years
UPC CODES	
SRFB27S3 (PrintProof™ Stainless Steel)	195174054215

LG STUDIO

SRFB27S3

26.5 cu. ft. Counter Depth 3-Door French Door Refrigerator

QUICK INSTALL & CLEARANCES

For full installation directions/clearances please refer to the corresponding User Manual and Installation Guide.

DIMENSIONS/CLEARANCES/WEIGHTS

A Depth without Handle	29 1/8"
B Width	35 3/4"
C Height to Top of Case	68 7/8"
D Height to Top of Hinge	70 1/4"
E Back Clearance	2"
F Depth without Door	24 3/4"
G Depth with Handle	31 3/4"
H Depth (Total with Freezer Drawer Open)	49"
I Depth (Total with Door Open 90°)	43 5/8"
Width (Door Open 90° without Handle) (Not Shown)	40"
Width (Door Open 90° with Handle) (Not Shown)	44 7/8"
Door Edge with Clearance without Handle (Not Shown)	2 1/4"
Door Edge with Clearance with Handle (Not Shown)	4 1/4"
Installation Clearances	Sides 1/8", Top 1", Back 2"
Carton Dimensions (WxHxD)	38" x 73" x 32"

ENERGY

Energy Consumption (kWh/Year)	632
Energy Rating	ENERGY STAR® Qualified



Scan to see the online manual.



CHOOSING THE PROPER LOCATION

WATER

The refrigerator must be located where a water supply can be connected for the automatic icemaker.

NOTE

- The water pressure must be 20 - 120 psi (138 - 827 kPa). If the refrigerator is installed in an area with low water pressure (below 20 psi or 138 kPa), you can install a booster pump to compensate for the low pressure.

ELECTRICITY

Use an individual, grounded outlet: 115 Volts, 60 Hz, AC, 15 amps minimum.

⚠ WARNING

- Do not overload house wiring and cause a fire hazard by plugging in multiple appliances in the same outlet with the refrigerator.
- To reduce the risk of electric shock, do not install the refrigerator in a wet or damp area.

FLOORING

To avoid noise and vibration, the unit must be installed and leveled on a solidly constructed floor. If required, adjust the leveling legs to compensate for the unevenness of the floor.

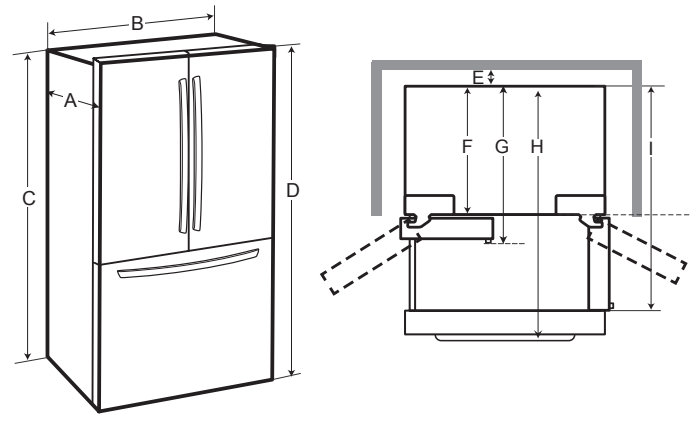
NOTE

- Installing on carpeting, soft tile surfaces, a platform or weakly supported structure is not recommended.

AMBIENT TEMPERATURE

Install this appliance in an area where the temperature is between 55 °F (13 °C) and 110 °F (43 °C). If the temperature around the appliance is too low or high, cooling ability may be adversely affected.

DIMENSIONS



CONNECTING REFRIGERATOR TO WATER SUPPLY

BEFORE BEGINNING

These instructions assume you have an existing water supply connection for the refrigerator. If necessary, call a qualified plumber to install a water supply line for the refrigerator.

- Turn the icemaker OFF if the refrigerator will be used before the water line is connected.
- Do not install the icemaker tubing in areas where the ambient temperatures fall below freezing.

⚠ WARNING

- Connect to potable water supply only.

CAUTION

- To prevent burns and product damage, only connect the refrigerator water line to a cold water supply.
- Wear eye protection during installation to prevent injury.

WATER PRESSURE

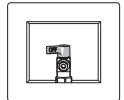
You will need a cold water supply.

Water Pressure

- Models with water filter: - 20 - 120 psi (138 - 827 kPa)
- All installations must be in accordance with local plumbing code requirements.

CONNECTING WATER LINE TO REFRIGERATOR

- Connect the tubing to the shutoff valve.
 - Place the compression nut and ferrule (sleeve) onto the end of the copper tubing and connect it to the shutoff valve. If you are using PEX, the tubing may already have the required fittings at either end. Make sure the tubing is fully inserted into the valve. Tighten the compression nut securely.
- Flush out the tubing into a bucket.
 - Flush out the tubing coming from the home water supply until the water is clear. Shut the water off at the water valve after about one quart of water has been flushed through the tubing valve.



NOTE

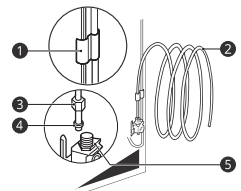
- Before making the connection to the refrigerator, be sure that the refrigerator power cord is not plugged into the wall outlet.

3 Remove the flexible plastic cap from the water valve on the refrigerator.

4 Place the compression nut and ferrule (sleeve) onto the end of the tubing as shown. If you are using a PEX connection kit, it may already have the required fittings.

5 Insert the end of the copper or PEX tubing into the connection as far as possible. While holding the tubing, tighten the fitting.

- 1 Tubing Clamp
- 2 1/4 in. Tubing
- 3 1/4 in. Compression Nut
- 4 Ferrule (sleeve)
- 5 Refrigerator Connection



- 6 Turn the water on at the shutoff valve.
 - Tighten any connections that leak.

CAUTION

- Check to see if leaks occur at the water line connections.
- Make sure the house water valve is fully open. If it is not open completely, the icemaker and dispenser may not work properly.