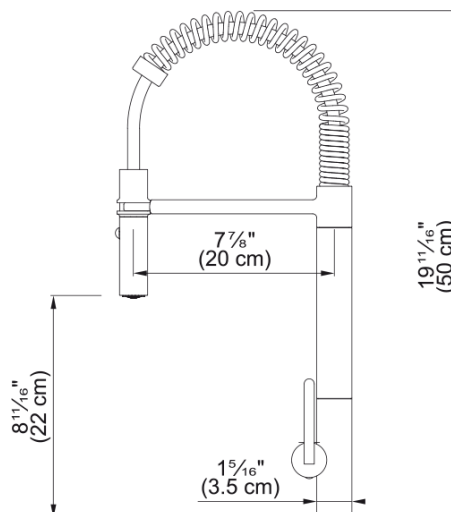


Professional Pull-Down Faucet - FF5380 | 115.0561.562



Technical Data

Aspect

Spout type	S - semi-professional
Color	Satin nickel
Type of material	Brass
Flexible pullout hose material	Textile
Spray head material	Brass

Product Dimensions

Faucet hole diameter	35 mm
Cartridge dimension	35 mm

Installation

Mounting type	Shank
Water supply hose connection	1/2"
Water supply hose length	650 mm

Product specifications

Pressure	High pressure
Faucet type	Pull-out spray
Faucet operation	Side lever
Faucet rotation	360°

Product identification

Product brand	FRANKE
Product family	None
Collection	Professional

Features

Water saving feature	No
Type of aerator	Honeycomb

Features

