

USER GUIDE

8.0 MINI ELLIPSE BOLLARD SPEAKER™

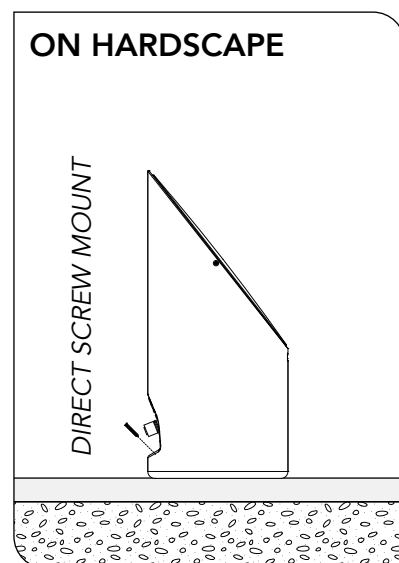
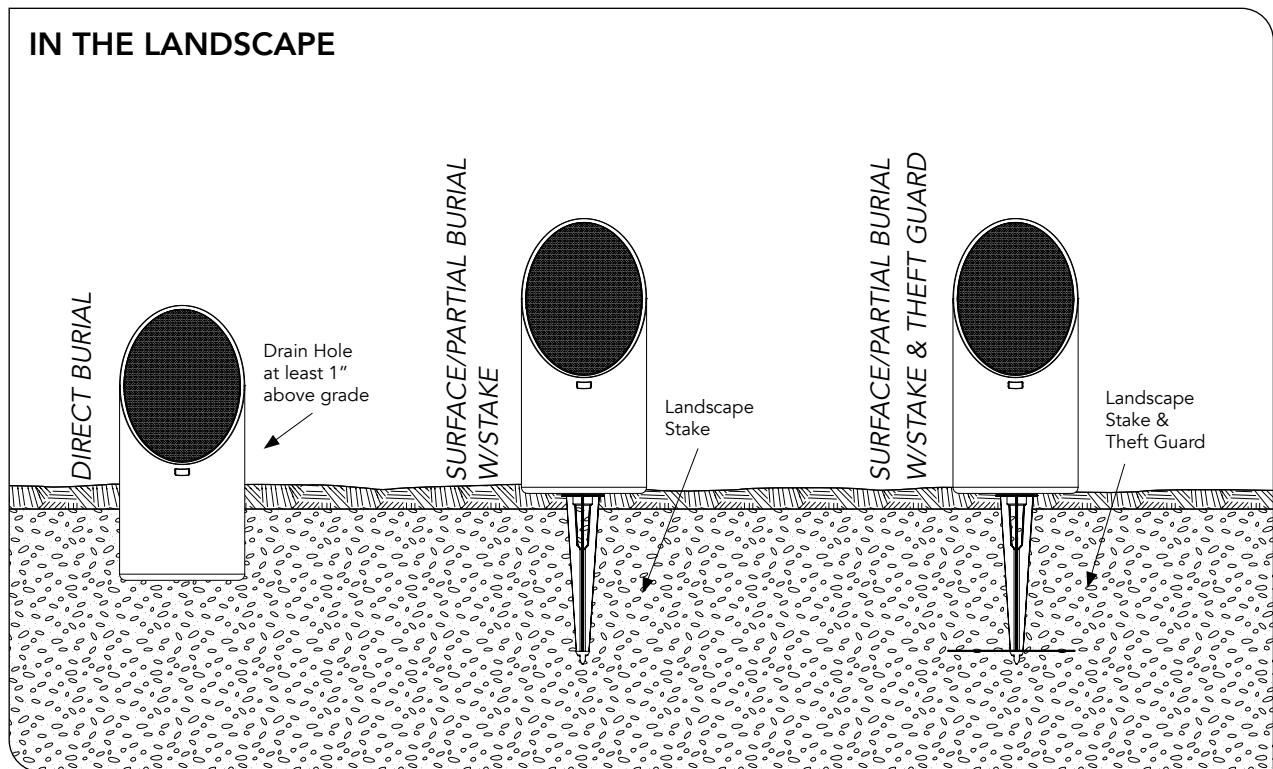
EB82W6.5BN

8.0 MINI ELLIPSE BOLLARD SPEAKER™

Features & Benefits

- Sleek design that can be easily hidden within a landscape yet looks great when installed out in the open.
- Large driver area compared to conventional outdoor speakers offering higher performance, higher efficiency, higher fidelity & less compromise.
- Installation flexibility in many forms for above-ground or in-ground applications.
- High quality materials and construction built to Defy the Elements™.
- Built to be part of a complete patented Coastal Source Plug+Play system or can be easily integrated into existing systems.

SPEAKER INSTALLATION OPTIONS



Direct Burial Installation

Dig a hole 10" in diameter and 6" deep. (If installing with optional stake and theft guard, dig a hole 12" in diameter and 16" deep.) Level the speaker in the hole then backfill with clean sand or soil being sure that the grill drain hole remains at least 1" above grade. Compact the sand/soil to make sure the speaker will not shift or settle over time.

Note: Hard to dig areas may benefit from a gas-powered handheld 12" auger (may be rented locally).

WIRING INSTALLATION

All Coastal Source speakers feature our patented Coastal Connector™ for a waterproof direct burial connection. For connecting to a Coastal Source amplifier just select the appropriate cable lengths and y-cables and Plug+Play the speakers to the amplifier. For connection to 3rd party (non-CS) amplifiers, Coastal Source pigtail cables are available to convert the Coastal Connector™ on the speaker to a typical 2 conductor bare wire that can be spliced in to a conventionally wired system.

Cabling Rules

Coastal Source speakers operate at 8 ohms. Coastal Connector™ 12AWG cables can be run a maximum of 300' total per channel without any significant degradation of performance. Coastal Source systems ship preset for typical applications. Adjustments should only be made by Certified Dealers.

When using Coastal Source amplifiers (check amp specifications for details) up to (4) 2-Way Ellipse Bollard Speakers per channel may be daisy chained by using a Parallel Audio Y-Divider at each speaker.

SOUND TUNING

Note that **optimal sound tuning is subjective and specific to each listener** so there are no hard and fast rules for optimizing the sound of a Coastal Source system. We have designed with flexibility to allow you to shape the sound to your personal preferences. The following information is offered as a brief guide. It is highly recommended to take the time to experiment and tune the system to achieve your desired sound.

NOTE: Coastal Source outdoor audio systems are the clearest and most efficient on the market, but they are not designed to run at 100% volume full-time. If the system is going to be played at loud volumes for an extended period of time, Coastal Source recommends setting the volume to 75-80%.

SPEAKER PLACEMENT

Above Ground - Open area

Large and open sound stage with a clean and leaner frequency balance.

Above Ground - Near a rear wall surface

Large and open sound stage with a clean and fuller frequency balance.

Buried Vertical

Medium sound stage with a heavier bass balance.

Subwoofers

Those wanting very high power bass may easily integrate an additional subwoofer into the system. Since very low frequencies are omni-directional placement is less critical, but experimenting with placement is still recommended since proximity to walls and corners will have a significant effect on the bass output.

See Coastal Source subwoofers operating manuals for further information.

Streaming Quality

Today most people stream music from a mobile device to listen to music. This makes the quality of the streaming source paramount to the overall quality of the sound of an audio system. Whether demoing a system for a client, showing off to your friends, or just listening by yourself, streaming quality can make a huge difference. Below are the maximum streaming quality rates available for the most popular music streaming services (when streaming from a mobile device). They are listed in ascending order of maximum quality.

- Pandora: Up to 64kbps
- Rdio: Up to 192kbps
- iTunes: Up to 256kbps
- Beats Music: Up to 320kbps
- Google Play: Up to 320kbps
- Spotify: Up to 320kbps
- Deezer: Up to 14410kbps (lossless)
- Tidal: Up to 14410kbps (lossless)

Keep in mind that all of these services are set by default to lower quality streaming rates. Higher rates eat up much more mobile data/bandwidth, so the default is always a lower quality stream. Change these rates in settings to obtain the best quality possible.

Equalization

If equalization is available from your streaming device it can aid in further fine tuning of the system's sound. Note that equalization is not a substitute for proper speaker placement and orientation. Equalization should be used in moderation to make the fine tuning adjustments as needed.

SETUP & INSTALLTION GUIDELINES

Spacing Guidelines

Maximum distance between speakers: 20'

Minimum distance between speakers: 8'

Speaker Coverage Guidelines

Each bollard speaker can cover 50-150 sqft of listening space.

Creating Listening Areas

For larger listening areas, surround the area with speakers equidistant from the prime listening position, crisscrossing or alternating the left and right channels.

For smaller listening areas, simply aim speakers in toward the listening positions.

Tweeter Adjustment (See Figure 1)

Since high frequencies are directional, adjust the articulating tweeter towards the listening area for optimum performance. The tweeter angle adjustment can be accessed by unscrewing the four grill set screws and removing the grill. Articulate the tweeter to the desired position, listen and readjust until optimal sound is achieved in the listening area. Replace the grill and secure with set screws. The default position of the tweeter is flush with the speaker baffle.

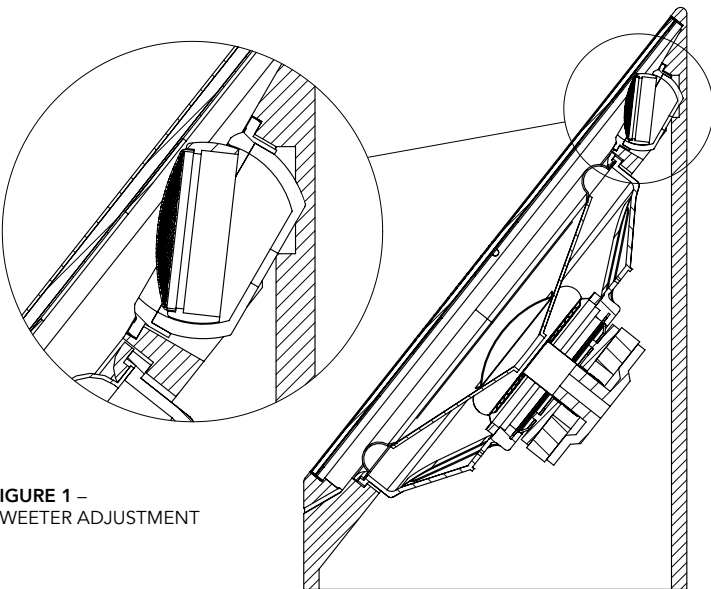


FIGURE 1 –
TWEETER ADJUSTMENT

SPECIFICATIONS

Physical Specifications

Size: 17.65in x 8in

Weight: 10.5lbs

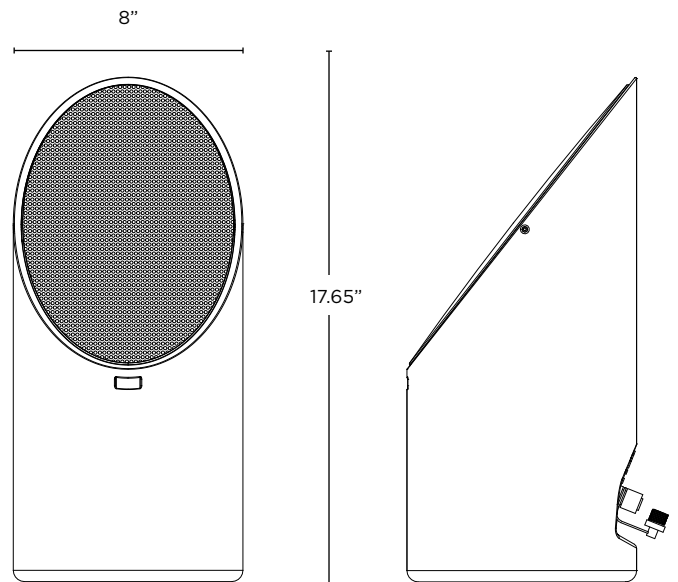
Finish: Brown

Woofer: 6.5" Polypropylene Cone
w/ Santoprene Surround

Tweeter: 1" Titanium Dome with articulating mount

Construction: Rotomold Enclosure w/Aluminum Grill

U.S. Design Patent D725,552



Performance Specifications

Power Handling: 100W Max

Minimum Recommended Amplifier Power (per speaker):
25 Watts

Frequency Response: 70Hz – 20kHz

Impedance: 8 ohms

Input: Male Coastal Connector™

Efficiency: 88dB 1w/M

Dispersion: 120° @ -6dB

OPTIONAL ACCESSORIES

8" Removable Tip Stake

Theft Guard

WARRANTY INFORMATION

COASTAL SOURCE warrants its goods against defects in material and functionality. At COASTAL SOURCE's sole discretion, COASTAL SOURCE will either repair or replace (at no charge) any properly installed and maintained COASTAL SOURCE goods that fail under normal operating conditions within the specified warranty period noted below. All goods are warranted from the date of invoice, provided they are returned to the corporate office for inspection (transportation prepaid) and determined defective under the terms of the warranty. This warranty covers only equipment manufactured by COASTAL SOURCE and does not extend to transportation, installation, labor compensation, or replacement charges, nor does it apply to any equipment of another manufacturer used in conjunction with COASTAL SOURCE equipment. Our warranty becomes null and void in the event of damage to the product resulting from breakage due to abuse or misuse; repairs, alterations or modifications of the product by anyone other than authorized representatives thereof; damage resulting from accidents, vandalism, acts of nature, and improper use. See Lifetime Care Program for additional options.

This product bears a five (5) year limited warranty.*

* All Coastal Source products bear a 2-year limited warranty for commercial/non-residential installations.

Filing a Claim

To file a warranty claim, please contact us to receive a Return Materials Authorization number (RMA) and a return shipping label:

COASTAL SOURCE
WARRANTY CLAIMS DEPARTMENT
1.800.719.1996

warranty@coastalsource.com

Please include your contact information, a copy of your receipt and reason for the return.



COASTAL
SOURCE
[*defy the elements*]

Coastal Source
1270 Glen Avenue
Moorestown, NJ 08057
Tel: 1-800-719-1996

General inquiries: info@coastalsource.com
Service & maintenance: warranty@coastalsource.com
www.coastalsource.com