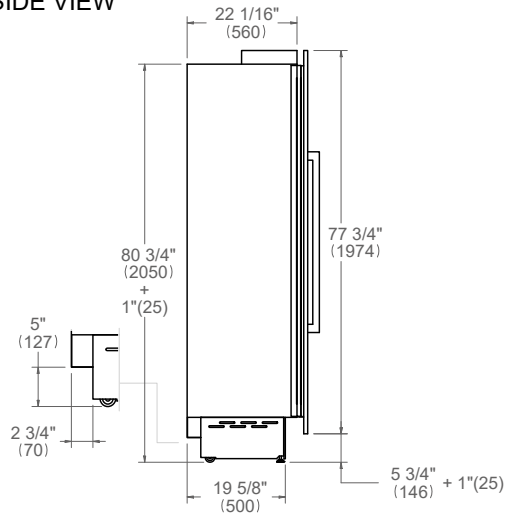
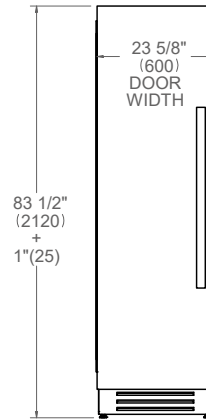


## PRODUCT DIMENSIONS

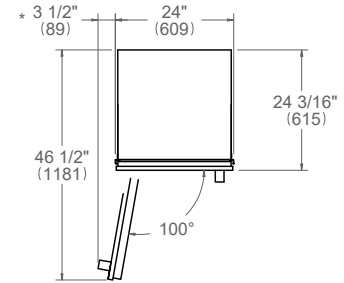
SIDE VIEW



FRONT VIEW



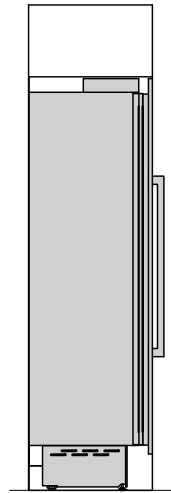
TOP VIEW



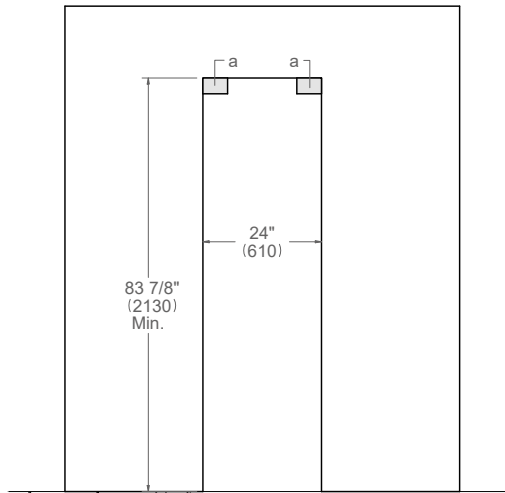
\* Maximum Overall Handle Dimension

## CUTOUT DIMENSIONS

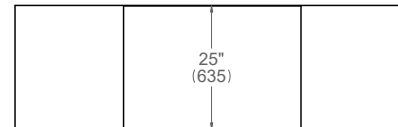
SIDE VIEW



FRONT VIEW

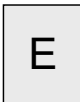


TOP VIEW

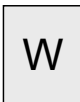


(a) Area to be left clear for the anti-tipping brackets  
3 1/2x5" (82x127mm)

## ELECTRICAL & WATER CONNECTION



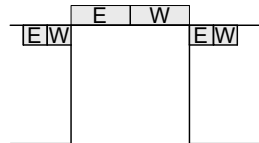
A properly-grounded, horizontally-mounted electrical receptacle should be installed according to this drawing



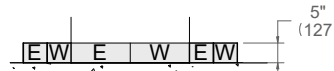
To connect to the water supply system, a 1/4" NPT waterline with accessible shut-off valve must be supplied.

Connection(s) placement within the opening may require additional cabinet depth.

TOP VIEW



FRONT VIEW



## INSTALLATION REQUIREMENTS

If the appliance(s) is not connected through the side profile trims to secured cabinetry anti-tip brackets must be installed.

A separate circuit breaker servicing only this appliance is recommended.  
For installation of multiple products in combination, refer to the Built-in Food Preservation Design Guide.  
Dimensions in parentheses are millimeters unless otherwise specified.