

# WA50B5100

# SAMSUNG

## 5.0 cu. ft. Large Capacity Top Load Washer with Deep Fill and EZ Access Tub



### Available Colors



**Brushed Black**  
WA50B5100AV



**White**  
WA50B5100AW

### Features

- EZ Access Tub
- Deep Fill
- Large 5.0 cu. ft. Capacity
- Smart Care\*
- Self Clean
- Vibration Reduction Technology+
- Swirl+ Tub Interior
- Soft-Close Lid
- 10 Preset Washing Cycles
- 4 Additional Washing Options
- 5 Temperature Levels
- 750 RPM Maximum Spin Speed
- Direct Drive Motor
- LED Display: Red

### Convenience

- Child Lock
- Dispenser Trays:  
Main Wash, Softener, Bleach,  
EZ Drawer Dispenser

### Ratings

IMEF = 1.57  
IWF = 6.5  
140 kWh/yr

### Electrical Requirements

120 V / 60 Hz  
15 Amps

### Specifications

#### 10 Preset Washing Cycles:

Normal, Bedding/Waterproof, Heavy Duty, Permanent Press, Delicates, Quick Wash, Self Clean, Rinse + Spin, Spin Only, Deep Wash

#### 4 Additional Washing Options:

Extra Rinse, Child Lock, Deep Fill, Smart Care

#### 5 Temperature Settings:

Hot, Warm, Eco Warm, Cool, Cold

#### 3 Soil Settings:

Heavy, Normal, Light

Washer	Model #	UPC Code
Brushed Black	WA50B5100AV	887276751139
White	WA50B5100AW	887276751146

#### Matching Electric Dryer

Brushed Black	DVE50B5100V	887276658704
White	DVE50B5100W	887276658711

#### Matching Gas Dryer

Brushed Black	DVG50B5100V	887276658728
White	DVG50B5100W	887276658735

### Warranty

**One (1) Year** Parts and Labor  
**Three (3) Years** Stainless Tub Part (Part Only)  
Washing DIT (Digital Inverter Motor)  
Motor Part (Part Only):  
**Ten (10) Years**  
**Twenty (20) Years** Limited to "U.S.-Assembled"  
Washers Only

### Product Dimensions & Weight (WxHxD)

Dimensions: 27<sup>1</sup>/<sub>2</sub>" x 46<sup>3</sup>/<sub>16</sub>" x 29<sup>7</sup>/<sub>16</sub>"  
Weight: 130.1 lbs

### Shipping Dimensions & Weight (WxHxD)

Dimensions: 30<sup>1</sup>/<sub>8</sub>" x 48<sup>5</sup>/<sub>16</sub>" x 31<sup>1</sup>/<sub>4</sub>"  
Weight: 136.7 lbs

\*Requires Samsung Smart Washer/Dryer App. The Samsung Smart Washer/Dryer App supports Android OS 2.3.6 or later and iOS 3 or later for iPhone models. Samsung Smart Washer/Dryer App available in App Store and Play Store.

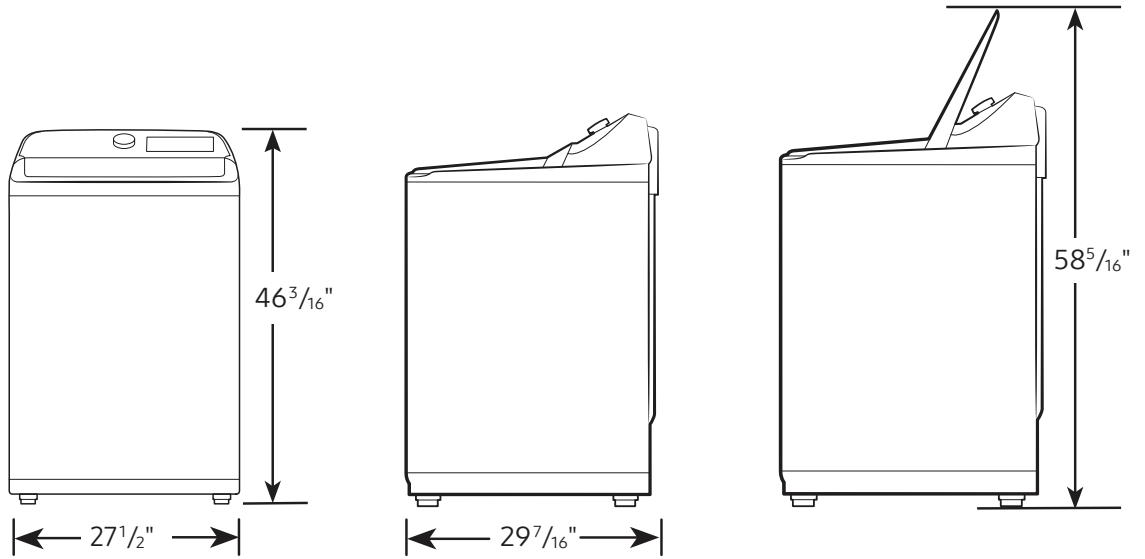
# WA50B5100

# SAMSUNG

## 5.0 cu. ft. Large Capacity Top Load Washer with Deep Fill and EZ Access Tub

### Dimensions

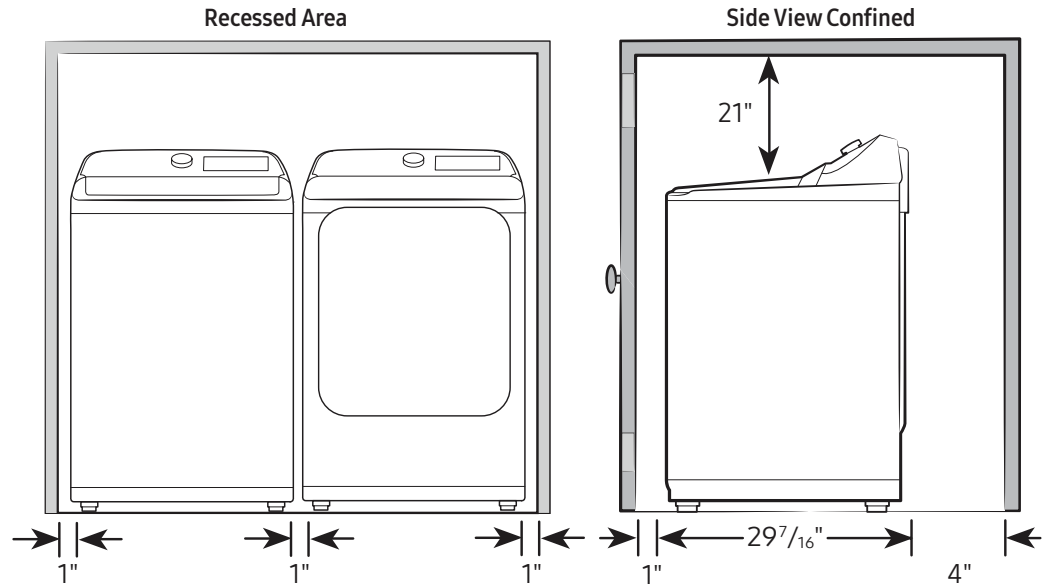
Required dimensions for installation:



### Installation Specifications – Side-by-Side

If the washer and dryer are installed together or the dryer alone, the closet front must have two unobstructed air openings for a combined minimum total area of 72-inch<sup>2</sup>. Your washer alone does not require a specific air opening.

Alcove or closet installation  
Minimum clearance for  
closet and alcove installations:

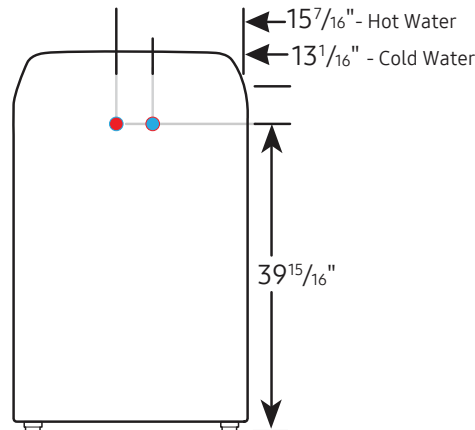


### Connection Dimensions

Back view of washer

#### LEGEND:

- Hot Water Connection
- Cold Water Connection



Actual color may vary. Design, specifications, and color availability are subject to change without notice. Non-metric weights and measurements are approximate.

©2022 Samsung Electronics America, Inc., 85 Challenger Road, Ridgefield Park, NJ 07660. Tel: 800-SAMSUNG.samsung.com. Samsung is a registered trademark of Samsung Electronics Co., Ltd.