



STANDARD FEATURES

- Single or double sealed burner(s) configurations
- Double side burners: 20,000 Btu/hour brass front burner and 10,000 Btu/hour brass rear burner
- Single side burner: 20,000 Btu/hour brass burner
- Patented 1/4" thick DiamondCut Grate™

Lasered Stainless Steel Grate - 5/16" thick



Bright LED Lighting



Sealed Burner Bowl



Stainless Cover



- Sealed burner bowl with drain tube
- Electronic spark ignition system with re-ignition capability
- LED lighting on front control panel
- Heavy gauge welded body construction
- Stainless steel top cover
- Double side burner is mountable to Tower Carts with kit
- Patented Zamak die-cast knobs, burner indicators and bezels
- 120V, 60Hz, 1 amp



Model number as shown AGB121

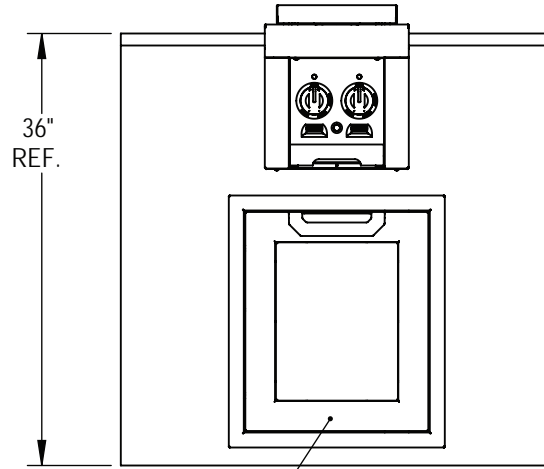
Model number as shown AGB122

OPTIONS & ACCESSORIES

- Natural Gas (NG) or Liquid Propane (LP)
- Twelve (12) Hestan signature color finishes
- Carbon Fiber Vinyl Cover
- Gas conversion kits (NG/LP)
- High altitude kit
- Side mount kit for Tower Cart (AGB 122 only)

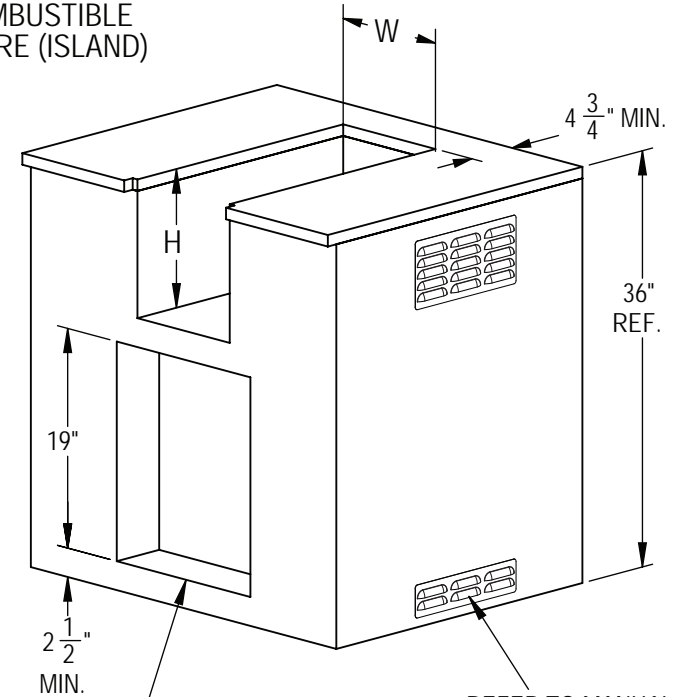


SHOWN ATTACHED TO TOWER CART with optional SIDE BURNER KIT (AGBPK)



HESTAN ACCESS DOOR (SOLD SEPARATELY)

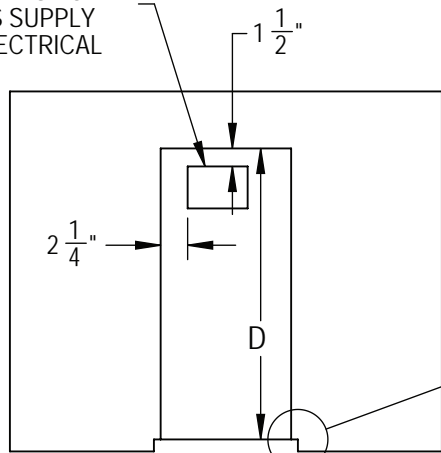
LAYOUT FOR NON-COMBUSTIBLE ENCLOSURE (ISLAND)



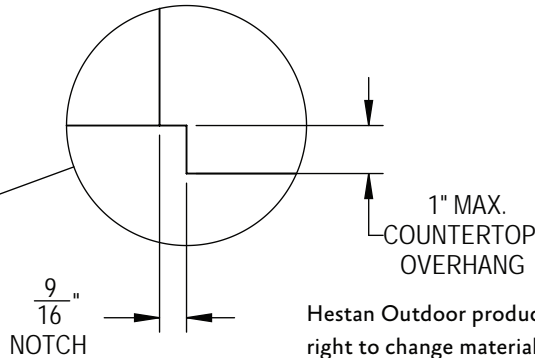
OPENING FOR HESTAN ACCESS DOOR

REFER TO MANUAL FOR VENTILATION GUIDANCE

3-1/2" X 5-1/2" OPENING FOR GAS SUPPLY & ELECTRICAL



TOP VIEW



1" MAX. COUNTERTOP OVERHANG

ELECTRICAL REQUIREMENTS : 120V, 60Hz, 1 amp

GAS REQUIREMENTS : 1/2" NPT gas connection. Minimum gas supply is 7" water column for natural gas and 11" for propane. Operating pressure at the manifold is 4" water column for natural gas and 10" for propane. All units require a regulated gas supply. (included)



Hestan Outdoor products are approved for outdoor use only. Hestan Commercial Corporation reserves the right to change materials and specifications without notice. Please reference our Installation Instructions for more elaborate detail and as the main source in your dimensional planning. Specify type of gas when ordering.

All Models	Description	Cutout Dimensions			Total Btu's
		W(in.)	D(in.)	H(in.)	
AGB121-NG / -LP	Single Side Burner, Built-in, 12"	11	13-7/8	11-1/2	20,000
AGB122-NG / -LP	Double Side Burner, Built-In or Cart-Attached 12"	11	24-1/4	11-1/2	30,000