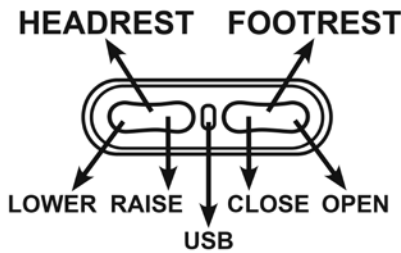


# Flexsteel Power Reclining Operating Instructions

## Furniture with Power Headrest(s)

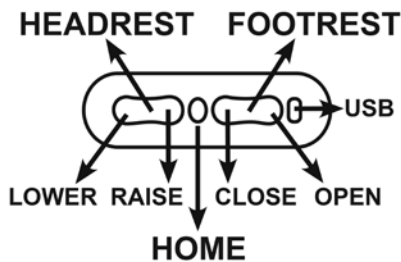
If your furniture is equipped with a power headrest, it will feature one of the below power button controls. Follow the instructions for the illustration that matches the control installed on your furniture.



### Control Type 1

**To recline:** Sit on the furniture, and press the front of the button closest to the footrest to smoothly raise the footrest and recline to any position. To lower the footrest and return to an upright position, press the back side of the button closest to the footrest.

**To adjust headrest:** Press the front of the button closest to the backrest to smoothly raise and adjust the headrest to any position. To lower the headrest and return it to its original position, press the back side of the button closest to the backrest.



### Control Type 2 | Control Type 2.5

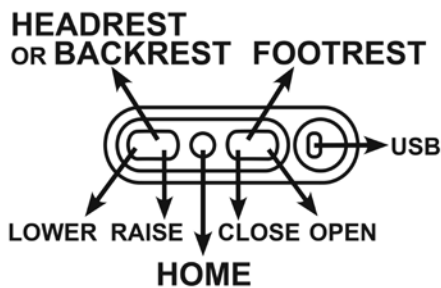
**To recline:** Sit on the furniture, and press the front of the button closest to the footrest to smoothly raise the footrest and recline to any position. To lower the footrest and return to an upright position, press the back side of the button closest to the footrest.

**To adjust headrest:** Press the front of the button closest to the backrest to smoothly raise and adjust the headrest to any position. To lower the headrest and return it to its original position, press the back side of the button closest to the backrest.

**To adjust backrest (only on select styles):** Press the front of the button closest to the backrest to smoothly adjust the backrest to any position. To return the backrest to its original position, press the back side of the button closest to the backrest.

**To close all:** To simultaneously return the headrest or backrest and footrest to their original positions, press the Home button.

**USB power note:** On Control Type 2.5, power to the USB port is activated only when the port is in use.



### Control Type 3

**To recline:** Sit on the furniture, and press the top button closest to the footrest to smoothly raise the footrest and recline to any position. To lower the footrest and return to an upright position, press the bottom button closest to the footrest.

**To adjust headrest:** Press the top button closest to the backrest to smoothly raise and adjust the headrest to any position. To lower the headrest and return it to its original position, press the bottom button closest to the backrest.

**To close all:** To simultaneously return the headrest and footrest to their original positions, press the Home button.

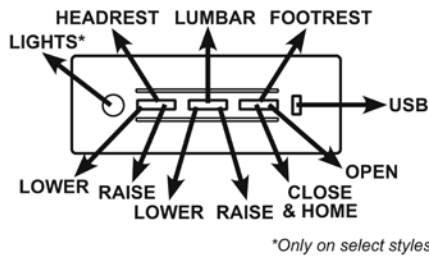
**Note:** If the reclining functions are not working properly, check for loose cable connections before contacting the retailer.



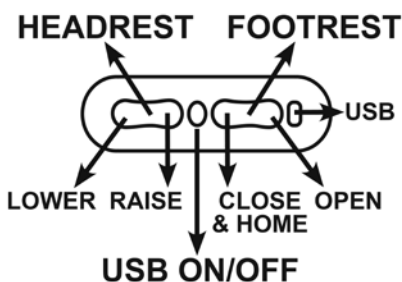
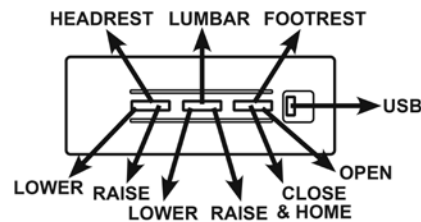
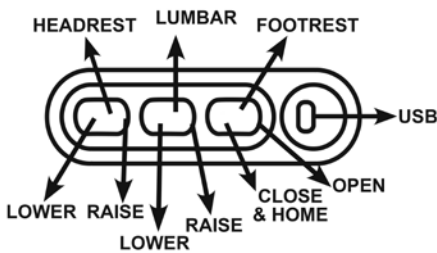
# Flexsteel Power Reclining Operating Instructions

## Furniture with Power Headrest(s), Cont.

### Control Type 4



### Control Type 4.5



### Control Type 4 | Control Type 4.5

**To recline:** Sit on the furniture, and press the front of the button closest to the footrest to smoothly raise the footrest and recline to any position. To lower the footrest and return to an upright position, press the back side of the button closest to the footrest.

**To adjust headrest:** Press the front of the button closest to the backrest to smoothly raise and adjust the headrest to any position. To lower the headrest and return it to its original position, press the back side of the button closest to the backrest.

**To adjust lumbar support:** Press the front of the center button to smoothly raise and adjust the lumbar support to any position. To lower the lumbar support and return it to its original position, press the back side of the center button.

**To close all:** To simultaneously return the headrest, footrest, and lumbar support to their original positions, press and hold the back side of the button closest to the footrest.

**To control lights:** To turn the LED lights on or off, press the round button closest to the backrest (only on select styles).

**USB power note:** On Control Type 4.5, power to the USB port is activated only when the port is in use.

### Control Type 5

**To recline:** Sit on the furniture, and press the front of the button closest to the footrest to smoothly raise the footrest and recline to any position. To lower the footrest and return to an upright position, press the back side of the button closest to the footrest.

**To adjust headrest:** Press the front of the button closest to the backrest to smoothly raise and adjust the headrest to any position. To lower the headrest and return it to its original position, press the back side of the button closest to the backrest.

**To close all:** To simultaneously return the headrest and footrest to their original positions, press and hold the back side of the button closest to the footrest.

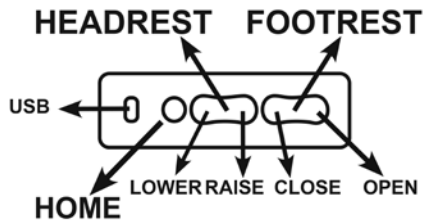
**To control USB power:** To turn the USB power on or off, press the USB On/Off button. When the button is out and its red edge is visible, the port is on. When the button is pushed in and the red edge is not visible, the port is off.

**Note:** If the reclining functions are not working properly, check for loose cable connections before contacting the retailer.



# Flexsteel Power Reclining Operating Instructions

## Furniture with Power Headrest(s), Cont.



### Control Type 6

**To recline:** Sit on the furniture, and press the front of the button closest to the footrest to smoothly raise the footrest and recline to any position. To lower the footrest and return to an upright position, press the back side of the button closest to the footrest.

**To adjust headrest:** Press the front of the button closest to the backrest to smoothly raise and adjust the headrest to any position. To lower the headrest and return it to its original position, press the back side of the button closest to the backrest.

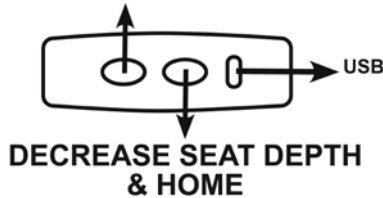
**To close all:** To simultaneously return the headrest and footrest to their original positions, press the Home button.

**USB power note:** Power to the USB port is activated only when the port is in use.

## Furniture without Power Headrest(s)

If your furniture is not equipped with a power headrest, it will feature one of the following power button controls. Follow the instructions for the illustration that matches the control installed on your furniture.

### INCREASE SEAT DEPTH

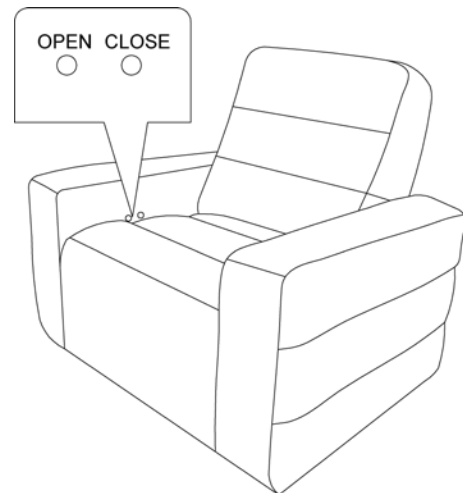
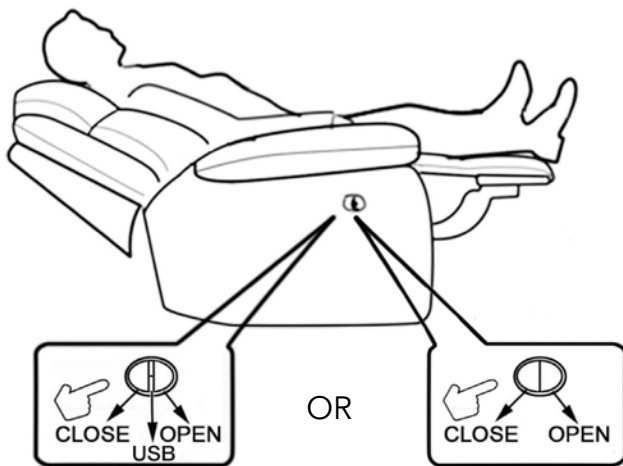


### Control Type 7

**To adjust seat depth:** Sit on the furniture, and press the button closest to the back cushion to smoothly increase the seat depth to any position. To decrease the seat depth, press the button closest to the front of the furniture.

To return the seat to its original depth, press the Home button.

**USB power note:** Power to the USB port is activated only when the port is in use.



### Power Button Control

Sit on the furniture, and press the front of the button to smoothly raise the footrest and recline to any position. To lower the footrest and return to an upright position, press the back side of the button.

### Hidden Power Button Control

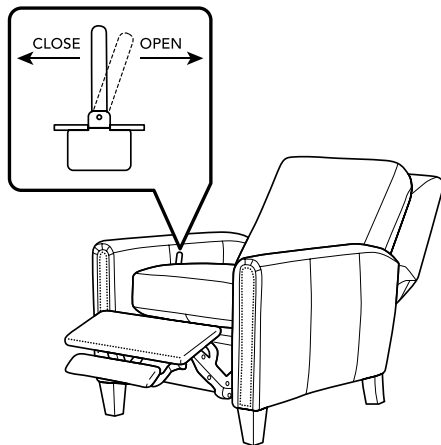
Sit on the furniture, and press the button closest to the footrest to smoothly raise the footrest and recline to any position. To lower the footrest and return to an upright position, press button closest to the backrest.

**Note:** If the reclining functions are not working properly, check for loose cable connections before contacting the retailer.



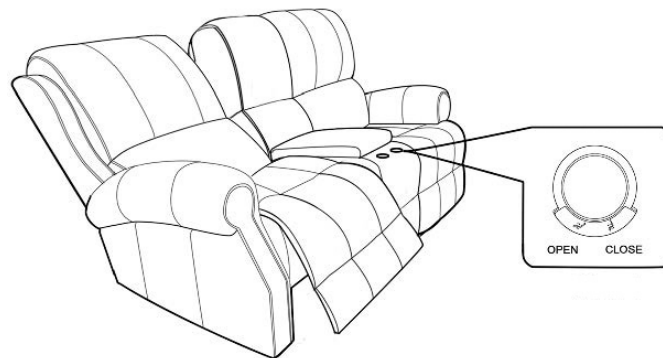
# Flexsteel Power Reclining Operating Instructions

## Furniture without Power Headrest(s), Cont.



### ***Hidden Toggle***

Sit on the furniture, and pull the toggle toward the back of the furniture to smoothly raise the footrest and recline to any position. To lower the footrest and return to an upright position, push the toggle forward.



### ***Cup Holder Control***

Sit on the furniture, and press the button with an image of a reclining person to smoothly raise the footrest and recline to any position. To lower the footrest and return to an upright position, press the button with an image of an upright person.

**Note:** If the reclining functions are not working properly, check for loose cable connections before contacting the retailer.