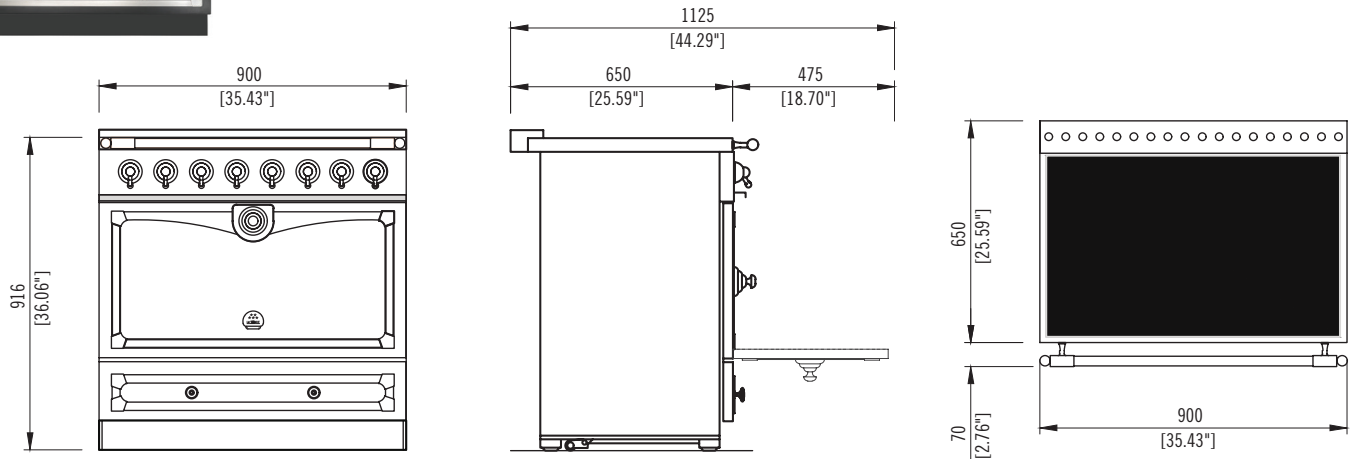


90 ALBERTINE INDUCTION: C9-I



Designed especially for the US market, the single oven “Albertine” range is the baby of the CornuFé family. With one large multi-function convection oven, a five zone induction cooktop constructed of durable ceramic glass that easily wipes clean, and one large storage drawer. The CornuFé 90 is available in sixteen colors and 3 trim accent choices of Polished Brass, Satin Chrome and Polished Chrome.



SPECIFICATIONS

CORNUFÉ 90 “ALBERTINE” INDUCTION: C9-I

900 W x 711 D x 911 (936 max) H (mm)
 35.4 W x 28 D x 35.8 (36.9 max) H (inches)
 315 lb uncrated, 410 lb Crated
 High-performance 5 zone induction cooktop
 Large electric convection oven

Induction Cooktop ratings:

Front Left: 1.4 kW (Max) 2.2 kW (Boost)
 Rear Left: 1.85 kW (Max) 3.0 kW (Boost)
 Center: 2.3 kW (Max) 3.7 kW (Boost)
 Front Right: 1.85 kW (Max) 3.0 kW (Boost)
 Rear Right: 1.85 kW (Max) 3.0 kW (Boost)
Note: Front Right and Rear Right Burners can be bridged

POWER

Voltage: 240v; 60Hz, 50 AMP

FINISHES

Four Classic Colors: Matte Black, Stainless Steel, Gloss Black, and Pure White

Four Étoile Colors: Morning Dew, Graphite, Ocean, and Wintersky

Archived Colors (Available for Order until June of 2023): Ivory, Dark Navy Blue, Royal Blue, Provence Blue, *Suzanne Kasler Color Collection Colors:* Liberte, Blanc, Tapestry and Roquefort

Three Trim Options: 1) Stainless Steel Trim and Rail with Satin Chrome Accents, 2) Stainless Steel Trim with Polished Brass Rail and Accents, and 3) Stainless Steel Trim, Polished Stainless Steel Rail, with Polished Chrome Accents

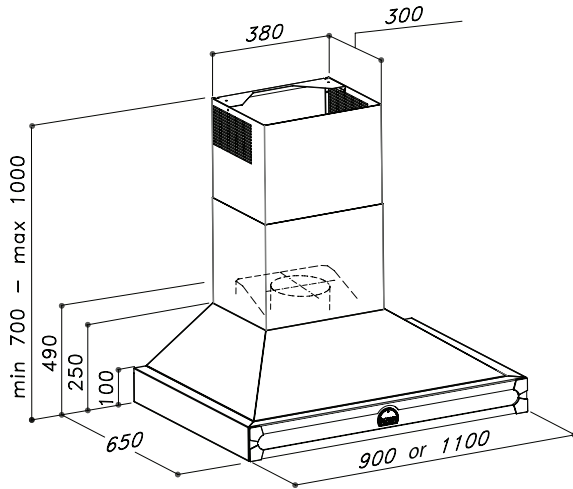
NOTE: Side panels are stainless steel for all colors except Gloss Black, Matte Black and Dark Navy Blue ranges have flat black side panels. The Polished Brass Trim is natural, non coated metal and will patina over time.

Ovens:

Enameled steel door with glass inner door
 Electric convection oven featuring 7 cooking modes
 2 Convection Fans, 8 Heating Elements
 1 Deluxe oven tray
 1 Large Tray Equipped with Broil Pan
 1 Pastry Tray
 2 Telescopic Racks
 714 W x 389 D x 381 H (mm)
 28.1 W x 15.3 D x 15 H (inches)
 3.81 cubic feet

90 ALBERTINE INDUCTION: C9-I

CORNUFÉ SERIES HOOD



CORNUFÉ 90 HOOD: H9

900 W x 650 D x 700 H (mm)
 35.4 W x 25.6 D x 27.5 H (inches)
 Traditional wall-mounted chimney hood
 Available in all color and trim options
 4-Speed Variable Motor
 One 600 CFM blower – unobstructed air flow with Ø6" duct
 Remote Control and In-Hood Activation Controls
 Three 20W high-intensity lights
 2 dishwasher-safe baffle filters with grease capture system
 Voltage: 120v, 60Hz, total rating: 425W, 3.6 AMP
 Telescopic flue cover extends to maximum hood height of 39.3" (1000 mm)

CORNUFÉ SERIES DETAILS & ACCESSORIES

CLASSIC COLORS

N	Matte Black
M	Gloss Black
I	Stainless Steel
W	Pure White

TRIM OPTIONS

	Trim	Accents	Rails
N	Stainless Steel	Satin Chrome	Stainless Steel
F	Stainless Steel	Polished Brass	Polished Brass
P	Stainless Steel	Polished Chrome	Polished Stainless Steel

Note: The Polished Brass Trim is natural, non coated metal and will patina over time.

ÉTOILE COLORS

P	Morning Dew
G	Graphite
O	Ocean
H	Wintersky

ARCHIVED COLORS (Available until June 2023)

V	Ivory
D	Dark Navy Blue
R	Royal Blue
L	Provence Blue

SUZANNE KASLER COLOR COLLECTION (Available until June 2023)

T	Liberte (Special order)
C	Blanc
A	Tapestry
Q	Roquefort

ACCESSORIES:

Part Number	Description
09KIRSIR01	Recirculating kit for CornuFe Hood

Please confirm inventory status at time of order.