

10,000 BTU Built-In Room Air Conditioner with Supplemental Heat-
230V/60Hz

Built-In Air Conditioner

Available Products: FFTH102WA2

Available Colors: White

Version: 08/22



Product Specifications

AC

Air CFM (Low)	240 CFM
Air CFM (Med)	264 CFM
Air CFM (High)	286 CFM
Air Direction Control	Swing Louver
Air Discharge	Top of Unit
Fan Speeds - Cool	3
Fan Speeds - Fan	3
Fan Speeds - Heat	3
Filter Type	Easy-to-Clean Washable Filter
Motor RPM (Low)	1,280 RPM
Motor RPM (Med)	1,380 RPM
Motor RPM (High)	1,460 RPM
Noise Level dBA (Low)	57 dBA
Noise Level dBA (Med)	59 dBA
Noise Level dBA (High)	60 dBA
Filter Access	Yes
Filter Check Indicator	Yes
Slide-Out Chassis	No
Supplemental Heat	Yes

Functions

24-Hour On/Off Timer	Yes
Auto Fan	Yes
Clean Air Ionizer	No
Energy Saver	Yes
Low Voltage Start-up	Yes
Sleep Mode	Yes

Dimensions and Volume

Height	14 1/2"
Width	24"
Depth	21 1/2"
Sleeve Height	15 5/8"
Sleeve Width	25 5/16"
Max Wall Thickness	18"

Installation

Power Cord Length	60"
-------------------	-----

Performance Certifications and Approvals

ENERGY STAR Certified	No
-----------------------	----

Performance

Cool Area	450 sq.
BTU (Cool)	10,000 BTU
BTU (Electrical Heat)	10,600 BTU
Combined Energy Efficiency Ratio	9.6
Dehumidification - Pints per Hour	2.8

Controls

Control Type	Electronic
Remote Control	Yes

Electrical Specifications

Amps (Cool)	5 Amps
Amps (Electrical Heat)	15 Amps
Plug Type	LCDI 6-20P
Voltage Rating	230 V
Watts (Electrical Heat)	3,450 Watts

General Specifications

Prop 65 Label	Yes
Refrigerant Type	R-410A
Warranty - Labor	1 Year
Warranty - Parts	1 Year

Safety Certifications and Approvals

UL Listed	Yes
ETL Listed	No

10,000 BTU Built-In Room Air Conditioner with

Built-In Air Conditioner

Supplemental Heat- 230V/60Hz

Available Products: FFTH102WA2

Available Colors: White

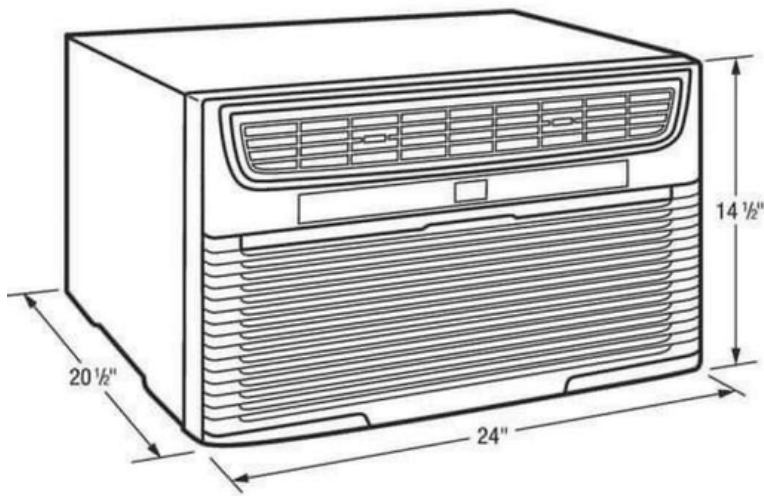
Version: 08/22

Accessories

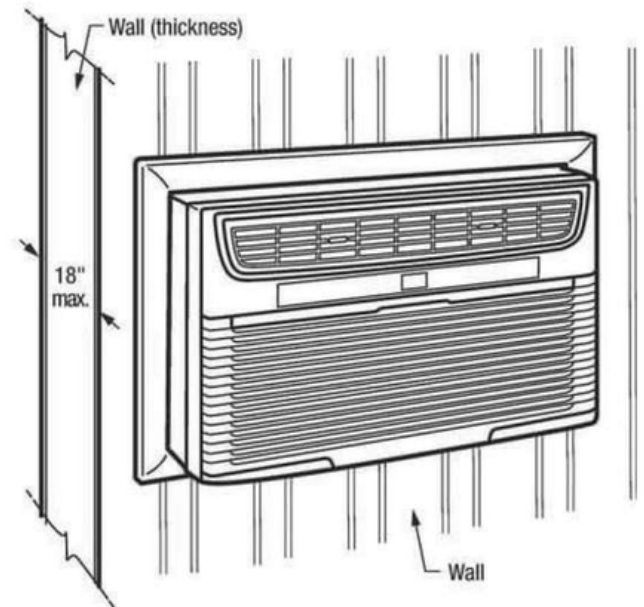
Included Accessory

Universal Trim Kit

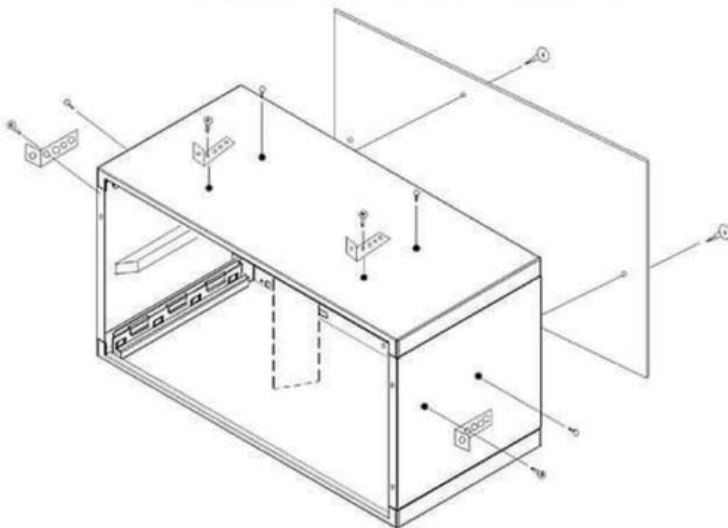
Installation Diagram



Through-The-Wall Installation



Through-The-Wall 18" Sleeve Kit



For planning purposes only. We reserve the right to change specifications or discontinue models without notice. Refer to Product Installation Guide for detailed installation instructions on the web at frigidaire.com / frigidaire.ca Electrolux Major Appliances, N.A.

USA • 10200 David Taylor Drive • Charlotte, NC 28262 • Charlotte, NC 28262 • 1-877-4electrolux (1-877-435-3287) • frigidaire.com
CANADA • 5855 Terry Fox Way • Mississauga, ON L5V 3E4 • 1-800-265-8352 • frigidaire.ca

10,000 BTU Built-In Room Air Conditioner with

Built-In Air Conditioner

Supplemental Heat- 230V/60Hz

Available Products: FFTH102WA2

Available Colors: White

Version: 08/22
