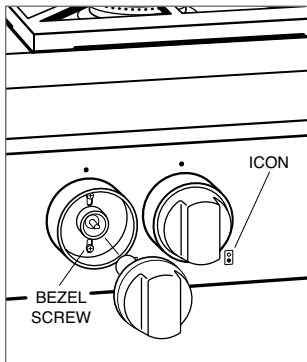


INSTALLATION

Depending on the model, additional knobs may be included with this kit but not utilized.

- 1 Remove knobs from the packaging and discard packaging material. Insert into the bezel as shown in the illustration below.
- 2 Using the chart as reference, identify the icon etched next to each bezel to determine the correct placement of each knob (oven bezels do not have an icon). Once proper placement has been determined, discard any additional knobs.
- 3 If any of the knobs stick when pressed, remove the knob and slightly loosen the two bezel screws. Refer to the illustration below. Once the proper alignment has been achieved, tighten screws and reinstall knob.

NOTICE: Do not place knobs or bezels in dishwasher. Do not soak or use abrasive cleaners. To clean, wipe with a damp cloth and mild detergent and water; rinse and dry.



Knob placement

ICON	KNOB
	Hi-Low and Simmer Hi-Low
	Off and Hi
	100°F- 450°F
	Off and Hi
Oven	150°F- 500°F and Broil
18" Oven (48" model only)	150°F- 500°F

