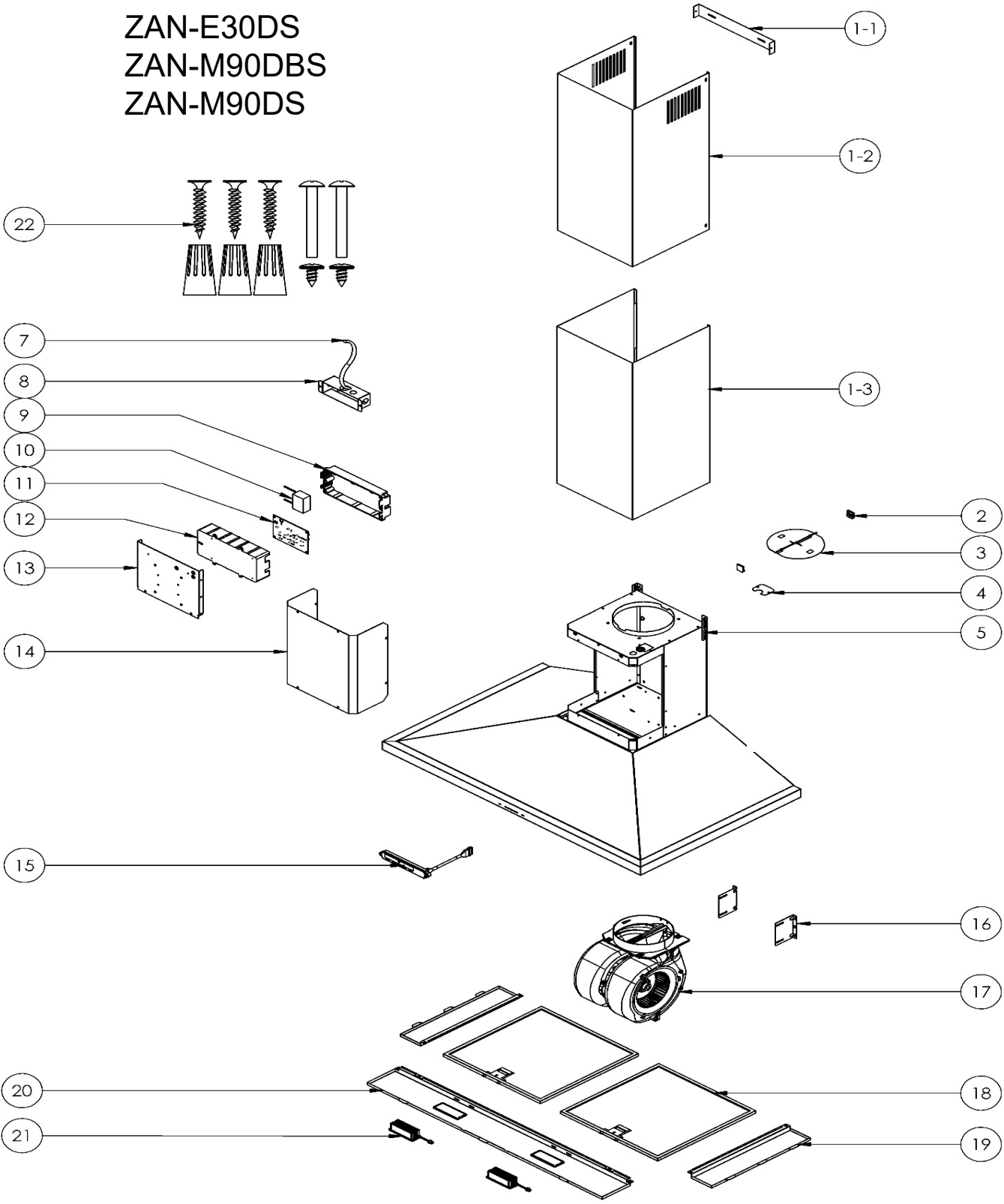


ZAN-E24DS  
ZAN-E30DBS  
ZAN-E30DS  
ZAN-M90DBS  
ZAN-M90DS



ZAN-E24DS, ZAN-E30DBS, ZAN-E30DS, ZAN-M90DBS, ZAN-M90DS

Ref #	Part #	Description	Qty.
1-1	54110050	Duct Cover Wall Bracket	1
1-2	50050091	Upper Duct Cover, SS	1
1-2	50050177	Upper Duct Cover, Black SS	1
1-3	50050092	Lower Duct Cover, SS	1
1-3	50050178	Lower Duct Cover, Black SS	1
2	50180002	Damper Clip	2
3	54060004	6 Inch Round Damper	1
4	54210025	Electrical Hole Cover	1
5	54140094	Hood Mounting Bracket	2
7	11030139	Electrical Cord	1
8	56200086	Electrical Box	1
9	56210024	Component Box Cover	1
10	12050021	Capacitor	1
11	11010150	Control Board	1
12	56200051	Component Box	1
13	54140324	Electronics Bracket	1
14	54210032	Motor Housing Cover	1
15	11000167	Switch Assembly	1
16	54140076	Motor Bracket	2
17	12120089	Motor	1
18	50200059	Aluminum Mesh Filter (24" x 1)	2
19	50120136	Side Panel (ZAN-E24DS)	2
19	50120103	Side Panel (ZAN-M90DBS)	2
19	50120105	Side Panel (ZAN-M90DS)	2
20	50110378	Light Panel (ZAN-E24DS)	1
20	50110379	Light Panel (ZAN-E30DBS)	1
20	50110380	Light Panel (ZAN-E30DS)	1
20	50110381	Light Panel (ZAN-M90DBS)	1
20	50110382	Light Panel (ZAN-M90DS)	1
21	Z0B0047	LumiLight LED, 6W (24" x 1)	2
22	05000118	Hardware Packet	1