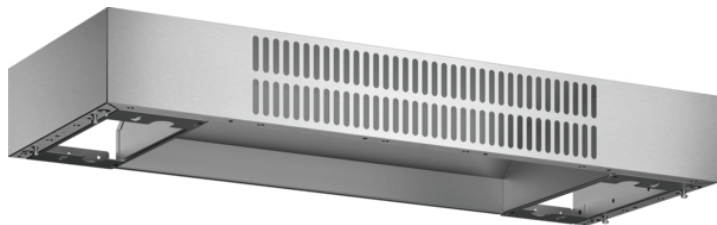


Recirculation Kit for Low-Profile Wall Hoods
RECHMWB30



Product Features



Notes: Please refer to installation instructions. Installation instructions are available at www.thermador.com. Specifications are correct at the time of printing. Thermador reserves the right to change product specifications and design at any time, without notice.

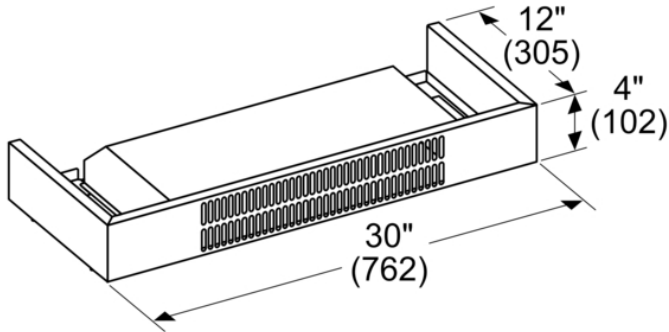
1 800 735 4328 | WWW.THERMADOR.COM | 1901 Main Street, Suite 600 Irvine, CA 92614

©2022 BSH HOME APPLIANCES CORPORATION, ALL RIGHTS RESERVED LITHO DATE: 07/2022

Recirculation Kit for Low-Profile Wall Hoods
RECHMWB30



measurements in inches (mm)



Product Features

		Accessory
Brand		Thermador
SKU		RECHMWB30
Internal article number		00000000000718498
EAN code		825225955894
Product packaging dimensions (HxWxD)		9" x 38 1/2" x 16 1/2"
		14
		16
Standard number of units per pallet		24
UPC code		825225955894
Product image		MCSA03292322_J5560_2645800_RECHMWB30_ST

Technical Specification

Notes: Please refer to installation instructions. Installation instructions are available at www.thermador.com. Specifications are correct at the time of printing. Thermador reserves the right to change product specifications and design at any time, without notice.

1 800 735 4328 | WWW.THERMADOR.COM | 1901 Main Street, Suite 600 Irvine, CA 92614

©2022 BSH HOME APPLIANCES CORPORATION, ALL RIGHTS RESERVED LITHO DATE: 07/2022