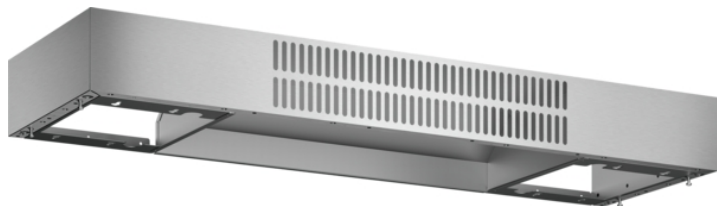


**Recirculation Kit for Low-Profile Wall Hoods**  
RECHMWB36



**Product Features**



Notes: Please refer to installation instructions. Installation instructions are available at [www.thermador.com](http://www.thermador.com). Specifications are correct at the time of printing. Thermador reserves the right to change product specifications and design at any time, without notice.

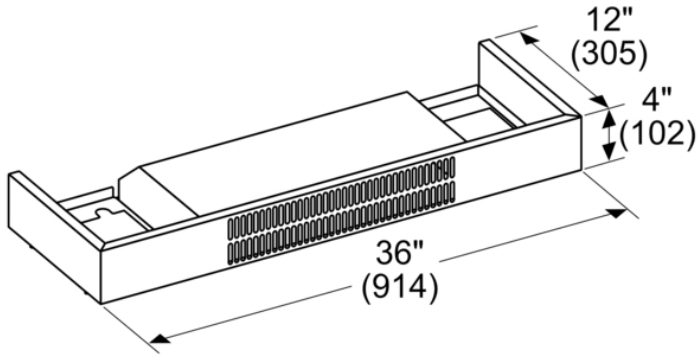
1 800 735 4328 | [WWW.THERMADOR.COM](http://WWW.THERMADOR.COM) | 1901 Main Street, Suite 600 Irvine, CA 92614

©2022 BSH HOME APPLIANCES CORPORATION, ALL RIGHTS RESERVED LITHO DATE: 07/2022

**Recirculation Kit for Low-Profile Wall Hoods**  
RECHMWB36



measurements in inches (mm)



**Product Features**

		Accessory
Brand		Thermador
SKU		RECHMWB36
Internal article number		00000000000718499
EAN code		825225955900
Product packaging dimensions (HxWxD)		9" x 38 1/2" x 16 1/2"
		16
		18
Standard number of units per pallet		24
UPC code		825225955900
Product image		MCSA03292323_J5561_2645803_RECHMWB36_ST

**Technical Specification**

Notes: Please refer to installation instructions. Installation instructions are available at [www.thermador.com](http://www.thermador.com). Specifications are correct at the time of printing. Thermador reserves the right to change product specifications and design at any time, without notice.

1 800 735 4328 | [WWW.THERMADOR.COM](http://WWW.THERMADOR.COM) | 1901 Main Street, Suite 600 Irvine, CA 92614

©2022 BSH HOME APPLIANCES CORPORATION, ALL RIGHTS RESERVED LITHO DATE: 07/2022