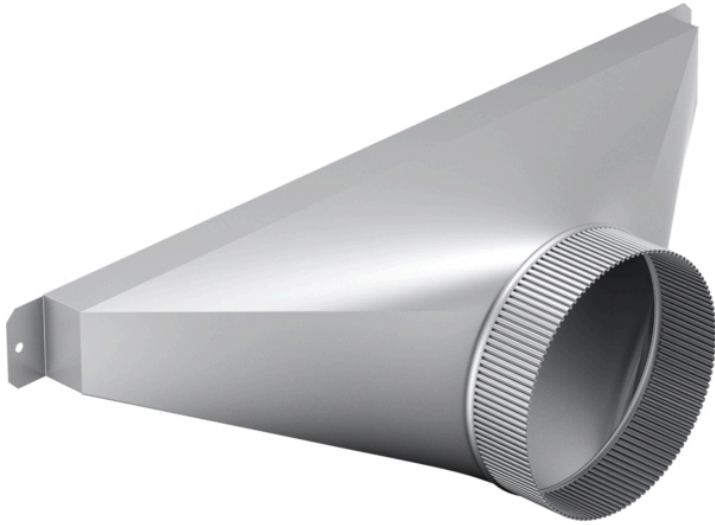


6-Inch Side/Rear Transition for Downdraft



Product Features

Performance

For use with remote or inline blower applications

Use with blowers, ducting, or elbows with 6 inch round duct connection

Can attach to downdraft housing or CVDUCT2 rectangular duct accessory

See installation guide for details

Design

Rectangular 1-7/8" x 19" transition to 6" round

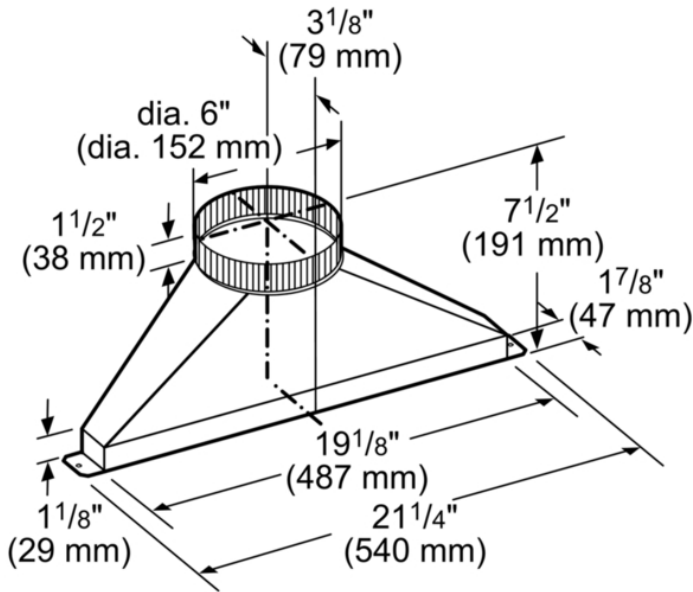
Designed for use with UCVM30RS, UCVM36RS, UCVP36RS downdrafts

Notes: Please refer to installation instructions. Installation instructions are available at www.thermador.com. Specifications are correct at the time of printing. Thermador reserves the right to change product specifications and design at any time, without notice.

1 800 735 4328 | WWW.THERMADOR.COM | 1901 Main Street, Suite 600 Irvine, CA 92614

©2022 BSH HOME APPLIANCES CORPORATION, ALL RIGHTS RESERVED LITHO DATE: 05/2022

6-Inch Side/Rear Transition for Downdraft



measurements in inches (mm)

Product Features

Product Features	
	Accessory
Brand	Thermador
SKU	CVTSIDE6
Internal article number	00000000000777717
EAN code	825225920779
	3
	3
Standard number of units per pallet	20
UPC code	825225920779
Product image	MCSA02476000_i3921_1849304_CVTSIDE6_de

Technical Specification

Notes: Please refer to installation instructions. Installation instructions are available at www.thermador.com. Specifications are correct at the time of printing. Thermador reserves the right to change product specifications and design at any time, without notice.

1 800 735 4328 | WWW.THERMADOR.COM | 1901 Main Street, Suite 600 Irvine, CA 92614

©2022 BSH HOME APPLIANCES CORPORATION, ALL RIGHTS RESERVED LITHO DATE: 05/2022