

**9-12-Foot Ceilings Chimney Extension Kit for
Masterpiece® Island Hoods**
CHXTHMIB



Product Features

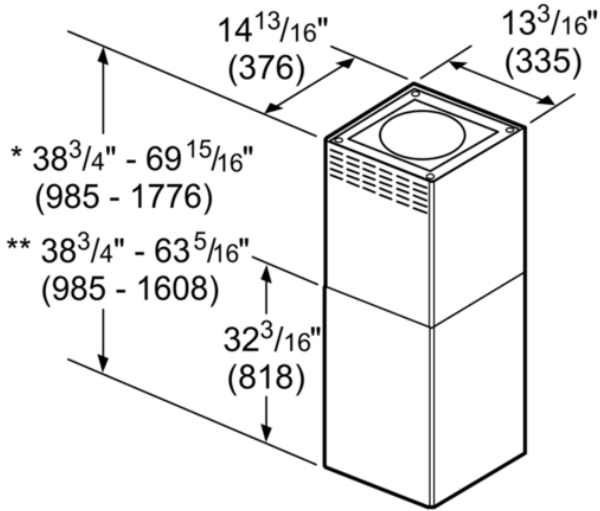


Notes: Please refer to installation instructions. Installation instructions are available at www.thermador.com. Specifications are correct at the time of printing. Thermador reserves the right to change product specifications and design at any time, without notice.

1 800 735 4328 | WWW.THERMADOR.COM | 1901 Main Street, Suite 600 Irvine, CA 92614

©2022 BSH HOME APPLIANCES CORPORATION, ALL RIGHTS RESERVED LITHO DATE: 07/2022

**9-12-Foot Ceilings Chimney Extension Kit for
Masterpiece® Island Hoods
CHXTHMIB**



- * Recirculating installation
- ** Ducted installation

measurements in inches (mm)

Product Features

	Accessory
Brand	Thermador
SKU	CHXTHMIB
Internal article number	00000000000718485
EAN code	825225956273
Product packaging dimensions (HxWxD)	18 7/8" x 45 1/4" x 19 1/4"
	63
	70
UPC code	825225956273
Product image	MCSA02758745_19714_2101832_CHXTHMIB_de

Technical Specification

Notes: Please refer to installation instructions. Installation instructions are available at www.thermador.com. Specifications are correct at the time of printing. Thermador reserves the right to change product specifications and design at any time, without notice.

1 800 735 4328 | WWW.THERMADOR.COM | 1901 Main Street, Suite 600 Irvine, CA 92614

©2022 BSH HOME APPLIANCES CORPORATION, ALL RIGHTS RESERVED LITHO DATE: 07/2022