

AD442016  
Stainless steel duct cover, including  
installation tower

Length: 24 13/32"

Color Variants

AD442016

Product Features

Product Description

Accessory

Brand

Gaggenau

Product name / series name

SKU

AD442016

Internal article number

000000000017006933

EAN code

4242006246853

Product packaging dimensions  
(HxWxD)

Net weight

43.000

56

Quantity per packing unit

Standard number of units per pallet

4

UPC code

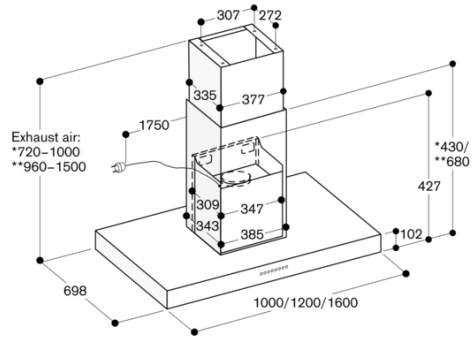
825225916635

Product image

2022-10-03

Page 1

**GAGGENAU**



- \* With exhaust air duct cover AD 442 016 suitable for ceiling heights from 2.35 m to 2.60 m.
- \*\* With exhaust air duct cover AD 442 026 suitable for ceiling heights from 2.60 m to 3.10 m; measurements refer to a 1.60 m distance between floor and lower chimney edge.