

AA210492
Lowering frame for 36" visor hood

To be installed with AF 210 visor hood. The patented lowering frame allows the visor hood to completely disappear behind the upper cabinet.

For assembly directly on the kitchen wall or reinforced upper cabinet. The required cavity depth of the upper cabinet together with the lowering frame measures 13 3/16" (335mm). For assembly in the upper cabinet. In combination with a back wall panel >5 mm the lowering frame needs to be lined and the cavity depths must be adapted accordingly.

For the installation of the lowering frame a flexible duct (part #00361093) is needed.

Color Variants

AA210492

Product Features

Product Description

Accessory

Brand

Gaggenau

Product name / series name

SKU

AA210492

Internal article number

000000000017005041

EAN code

4242006295301

Product packaging dimensions (HxWxD)

Net weight

9.000

13

Quantity per packing unit

Standard number of units per pallet

30

UPC code

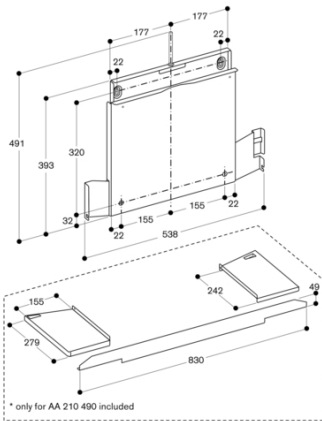
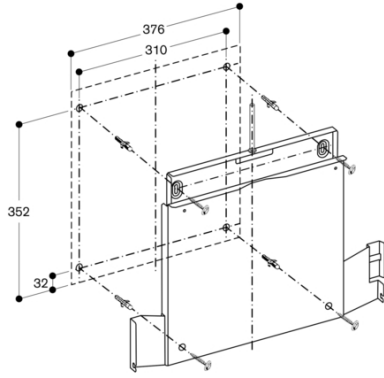
825225963745

Product image

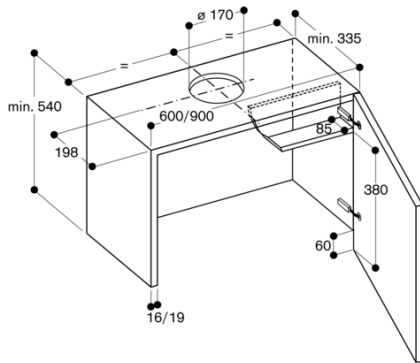
MCSA01059196_F8330_AA210490_6595

2022-10-03

Page 1



Top cabinet for AF 210
 with lowering frame AA 210 460/AA 210 490



Cross-section top cabinet with AA 211 812

