

AD854040
Flat duct pipe connector
Metal
DN 150 flat

To connect 2 flat ducts.

Features

Central reinforcement.

Planning notes

Suitable for flat duct and flat duct flex.

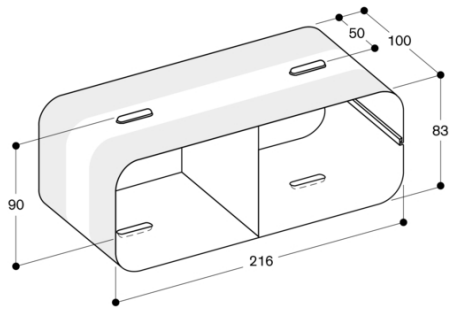
Color Variants

AD854040
Metal
DN 150 flat

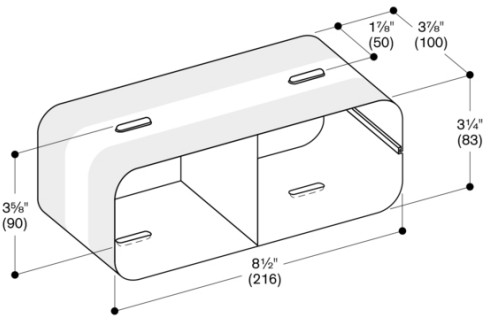
Product Features
Product Description
Accessory
Brand
Gaggenau
Product name / series name
SKU
AD854040
Internal article number
000000000017004172
EAN code
4242006284442
Product packaging dimensions (HxWxD)
Net weight
0.000
0
Quantity per packing unit
Standard number of units per pallet
128
UPC code
825225956785
Product image

2022-09-30

Page 1



Measurements in mm



Measurements in inches (mm)