



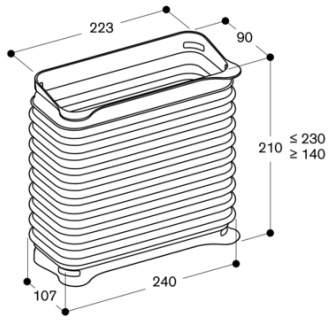
AD410040
Flexible connecting piece for VL 200
DN 150 flat

Color Variants

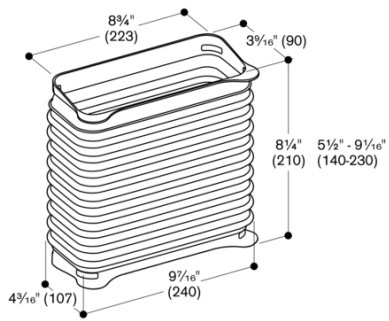
AD410040
DN 150 flat

Product Features
Product Description
Accessory
Brand
Gaggenau
Product name / series name
SKU
AD410040
Internal article number
000000000011030871
EAN code
4242006286651
Product packaging dimensions (HxWxD)
Net weight
1.000
2
Quantity per packing unit
Standard number of units per pallet
131
UPC code
825225957621
Product image
MCSA02720685_i8670_2064188_AD4100

2022-10-03
Page 1



Measurements in mm



measurements in inches (mm)