

AD858010
Flat duct flex pipe
Metal
DN 150 flat
Length 39" (1000 mm)

Features

Sealing is pre-assembled on each side.

Planning notes

Suitable for flat duct bends.
Flat duct flex pipe can be shortened.
Useful for bends (<90°) or for parallel offsetting.
If the removal of the seal is necessary, the connection must be fastened and sealed with aluminium adhesive tape.

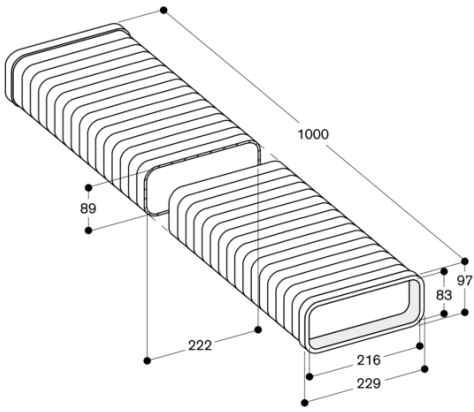
Color Variants

AD858010
Metal
DN 150 flat

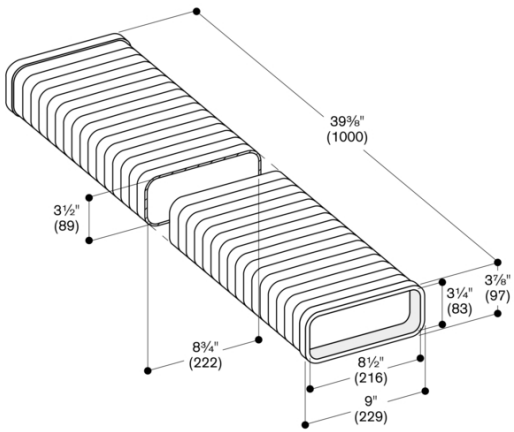
Product Features
Product Description
Accessory
Brand
Gaggenau
Product name / series name
SKU
AD858010
Internal article number
000000000017004177
EAN code
4242006284404
Product packaging dimensions (HxWxD)
Net weight
0.000
1
Quantity per packing unit
Standard number of units per pallet
36
UPC code
825225956747
Product image
MCSA03139198_J4197_2472567_AD858

2022-09-30
Page 1

AD858010
Flat duct flex pipe
Metal
DN 150 flat
Length 39" (1000 mm)
2022-09-30
Page 2



Measurements in mm



Measurements in inches (mm)