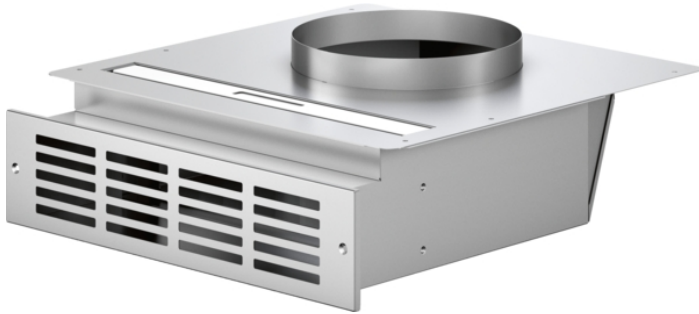


Recirculation Kit for Downdraft HDDREC5UC



Features and Benefits

Design

- Designed To Mount At Interior Base Cabinet So Module Is Unseen

Performance

- High Quality Charcoal Filter Effectively Captures And Filters Odors
- Replace Charcoal Filter Every 6 Months Depending On Usage
- Downdraft Charcoal Filter Replacement Model Number Is HDDFILTUC

Convenience

- Module And Grille Vent Plate Can Be Placed So Air Does Not Hit Feet
- See Installation Manual For More Details

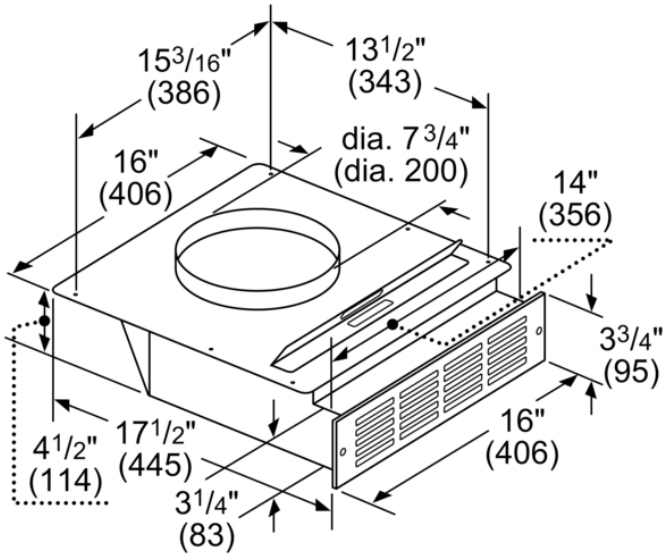
Notes: All height, width and depth dimensions are shown in inches. *Please refer to installation instructions prior to making cutout. BSH reserves the absolute and unrestricted right to change product materials and specifications, at any time, without notice. Consult the product's installation instructions for final dimensional data and other details. Applicable product warranty can be found in a accompanying product literature or you may contact your account manager for further details.

For more information on our entire line of products, go to boschappliances.com or call 1-800-944-2904.

Copyright ©2022 BSH Home Appliances Corporation. All rights reserved. Bosch is a registered trademark of Robert Bosch GmbH.

Litho Date: 05/2022

Recirculation Kit for Downdraft HDDREC5UC



measurements in inches and (mm)

Features

Product Description

Brand	Accessory
Brand	Bosch
Product name / series name	
SKU	HDDREC5UC
Internal article number	00000000000717974
EAN code	4242002907062
Product packaging dimensions (HxWxD)	
	7
	8
Quantity per packing unit	
Standard number of units per pallet	40
UPC code	825225920335
Product image	MCSA02500620_i5200_1875052_HDDREC5UC_geschloss

Technical Specification

Notes: All height, width and depth dimensions are shown in inches. *Please refer to installation instructions prior to making cutout. BSH reserves the absolute and unrestricted right to change product materials and specifications, at any time, without notice. Consult the product's installation instructions for final dimensional data and other details. Applicable product warranty can be found in a accompanying product literature or you may contact your account manager for further details.

For more information on our entire line of products, go to boschappliances.com or call 1-800-944-2904.

Copyright ©2022 BSH Home Appliances Corporation. All rights reserved. Bosch is a registered trademark of Robert Bosch GmbH.

Litho Date: 05/2022