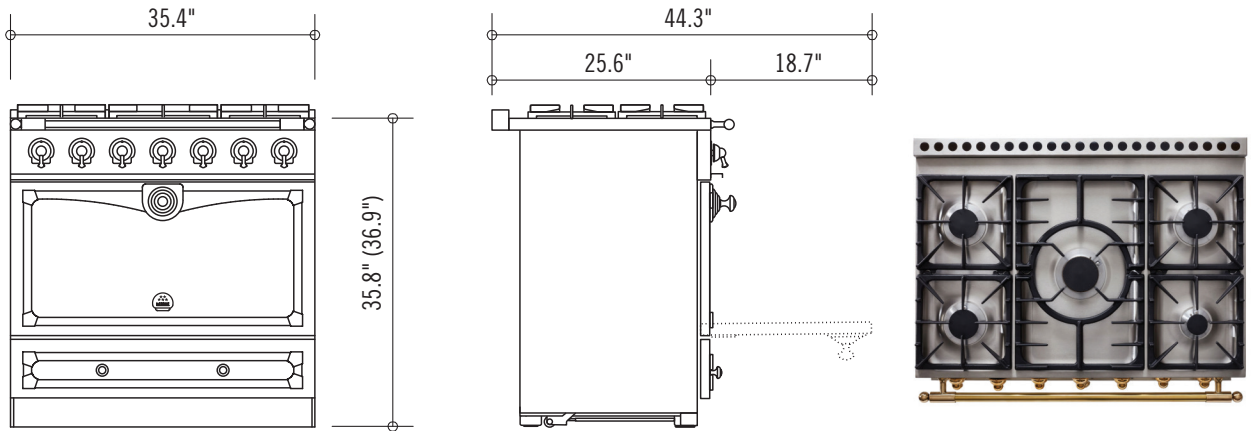


# 90 ALBERTINE DUAL FUEL: C9



Designed especially for the US market, the single oven “Albertine” range is the baby of the CornuFé family. With one large multi-function convection oven, and seven unique cooking modes, the range has five powerful brass gas burners and one large storage drawer. The CornuFé 90 is available in 8 classic colors, 4 Suzanne Kasler Couleurs and 3 trim accent choices of Polished Brass, Satin Chrome and Polished Chrome.



## SPECIFICATIONS

### CORNUFÉ 90 “ALBERTINE”: c9

900 W x 650 D x 910 (937 max) H (mm)  
 35.4 W x 25.6 D x 35.8 (36.9 max) H (inches)  
 315 lb. uncrated, 410 lb. crated  
 High-performance 5 burner gas cooktop  
 Large electric convection oven

#### Gas Burners:

1 17,500 BTU Central Burner  
 3 12,000 BTU Burners  
 1 6,000 BTU Simmer Burner  
 Solid Brass Enamel-Capped Burners with Thermocouple Safety Mechanism

#### Ovens:

Enameled steel door with glass inner door  
 Electric convection oven featuring 7 cooking modes  
 2 Convection Fans, 8 Heating Elements  
 1 Wire Rack  
 1 Large Tray Equipped with Broil Pan  
 1 Pastry Tray  
 1 Telescopic Rack  
 714 W x 389 D x 381 H (mm)  
 28.1 W x 15.3 D x 15 H (inches)  
 3.81 cubic feet

## POWER AND FUEL

Voltage: 240v; 60Hz, 16 AMP  
 Gas connection: 1/2 inch NPT at rear left-hand side  
 Natural gas range with propane conversion kit included

## HIGH-ALTITUDE KIT

Required for elevations above 5,000 feet  
**Natural Gas High-Altitude Kit “A037977”**  
**Propane High-Altitude Kit “A037982”**

## FINISHES

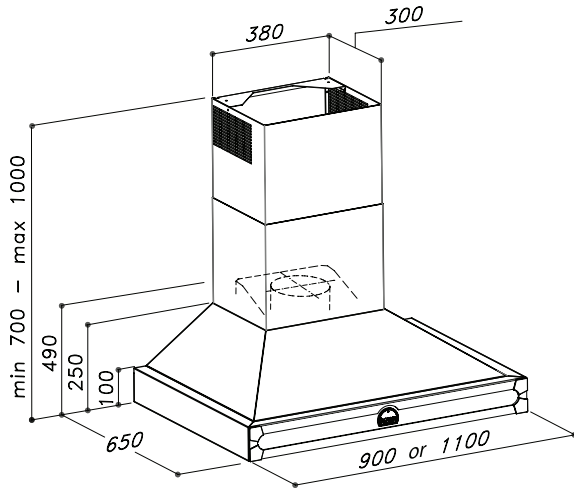
*Eight Standard Body Colors:* Gloss Black, Matte Black, Stainless Steel, Ivory, Pure White, Dark Navy Blue, Royal Blue and Provence Blue  
*Four Suzanne Kasler’s Collection Colors:* Liberte, Blanc, Tapestry and Roquefort  
*Three Trim Options:* Stainless Steel with Satin Chrome accents, Stainless Steel with Polished Brass accents, Stainless Steel with Polished Chrome accents

\*Side panels are stainless steel for all colors except Gloss Black, Matte Black and Dark Navy Blue ranges have flat black side panels.



# 90 ALBERTINE: C9

## CORNUFÉ SERIES HOOD



### CORNUFÉ 90 HOOD: H9

- 900 W x 650 D x 700 H (mm)
- 35.4 W x 25.6 D x 27.5 H (inches)
- Traditional wall-mounted chimney hood
- Available in all color and trim options
- 4-Speed Variable Motor
- One 600 CFM blower – unobstructed air flow with Ø6" duct
- Remote Control and In-Hood Activation Controls
- Three 20W high-intensity lights
- 2 dishwasher-safe baffle filters with grease capture system
- Voltage: 120v; 60Hz, total rating: 425W, 3.6 AMP
- Telescopic flue cover extends to maximum hood height of 39.3" (1000 mm)

## CORNUFÉ SERIES DETAILS & ACCESSORIES

### STANDARD BODY COLORS

N	Matte Black
M	Gloss Black
I	Stainless Steel
W	Pure White
V	Ivory
D	Dark Navy Blue
R	Royal Blue
L	Provence Blue

### TRIM OPTIONS

	Trim	Accents	Rails
N	Stainless Steel	Satin Chrome	Stainless Steel
F	Stainless Steel	Polished Brass	Polished Brass
P	Stainless Steel	Polished Chrome	Polished Stainless Steel

**Note:** The Polished Brass Trim is natural, non coated metal and will patina over time.

### SUZANNE KASLER COLOR COLLECTION

T	Liberte (Special Order)
C	Blanc
A	Tapestry
Q	Roquefort

Please confirm inventory status at time of order.

### ACCESSORIES (AVAILABLE FOR 110 AND 90):

Part Number	Description
CFEBPLATE	French Plaque for CornuFé 110 Dual Fuel Ranges
CFEBPLATE90	French Plaque for CornuFé 90 Dual Fuel Ranges
CFEGRIDDLE	Grill/Griddle Plate for all CornuFé Dual Fuel Ranges
P050553	Wok Adapter for all CornuFé Dual Fuel Ranges
A037977	High Altitude Kit - Natural Gas for all CornuFé Dual Fuel Ranges
A037982	High Altitude Kit - Propane for all CornuFé Dual Fuel Ranges
09KIRSIR01	Recirculating kit for CornuFe Hood
P030292	CornuFé 110 Extra Flat Rack
CFDF5BB	CornuFé Dual Fuel set of 5 Brass Burners