

ASSEMBLY INSTRUCTION

Item#: 5750-75203T-MWD Ascension 48in Wood Round Dining Table Top
 5750-75213T-MWD Ascension 60in Wood Round Dining Table Top
 5750-75203B-MWD Ascension Round Dining Table Base

**** Please make sure you have all parts indicated below prior to assembly.
 This table is heavy and can best be assembled with the help of two or more people.**

NO	HARDWARE LIST	Q'TY
A	⊙ Flat Washer	4
B	⊙ Lock Washer	4
C	— 45mm Bolt	4
D	⌒ Allen Wrench	1

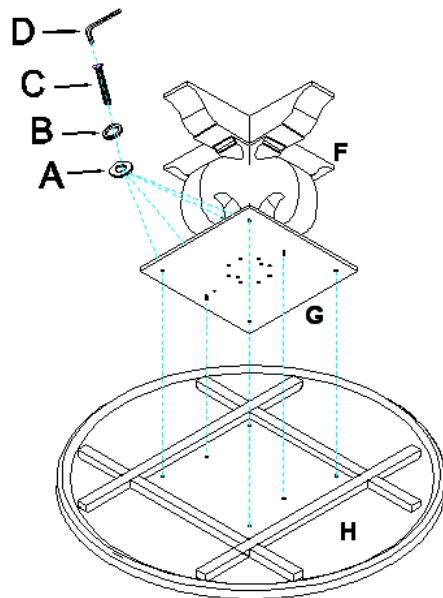
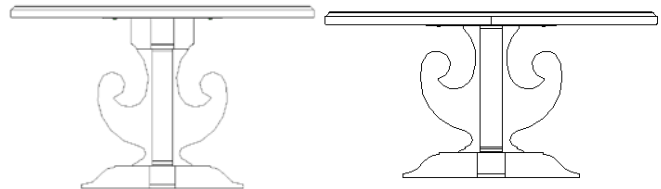
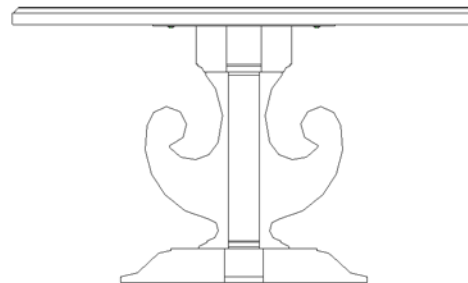


Diagram 1



Note:

1. Mounting bridge cannot be assembled upside down. Please follow numbers on mounting bridge and top of base with locator dowels when assemble.
2. Height of this table can be adjusted with or without extension block. (30" and 36" heights)

Assembly steps with extension block:

1. Place table top (H) upside down on a smooth surface to prevent it from being scratched.
2. Attach base (F) to top (H) by using bolts (C), lock washers (B) and flat washers (A), secure with allen wrench (D) in clockwise direction. (See diagram 2)
3. Turn table upright.

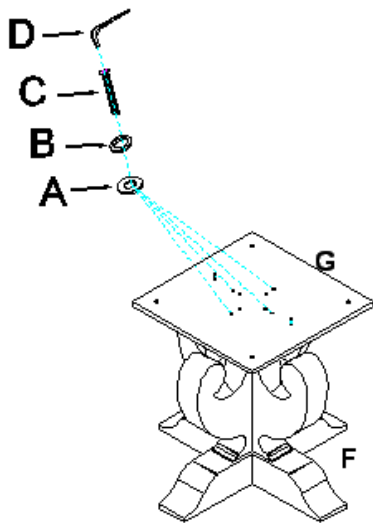


Diagram 1

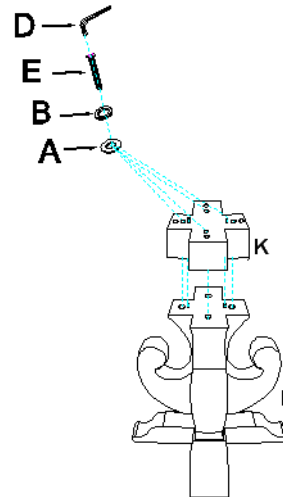


Diagram 2

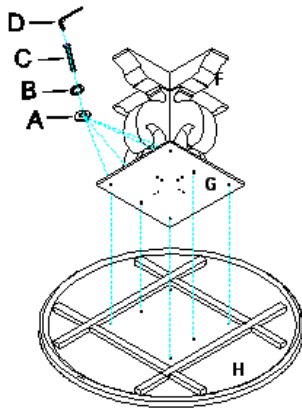


Diagram 3

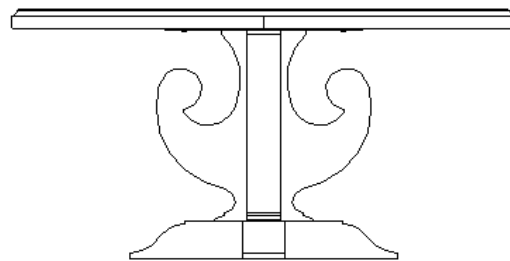


Diagram 4

Assembly steps without extension block:

1. Unscrew bolts (C), lock washers (B) and flat washers (A) from mounting bridge (G).
2. Unscrew bolts (E), lock washers (B) and flat washers (A) from extension block (K).
3. Remove extension block (K) from base (F) with care.
4. Put mounting bridge (G) back on top of base (F) and screw bolts (C), lock washers (B) and flat washers (A) from mounting bridge (G) to base (F).
5. Place table top (H) upside down on a smooth surface to prevent it from being scratched.
6. Attach base (F) to top (H) by using bolts (C), lock washers (B) and flat washers (A), secure with allen wrench (D) in clockwise direction. (See diagram 3)
7. Turn table upright.

Cleaning Instruction: Clean finished parts with a damp cloth using a mild dishwashing liquid and water solution. Polish the finish with soft cloth and an industry recognized furniture polish.