

## Fresh Living Tip

Place frequently used items—like condiments for a burger hot off the grill—in this model's door shelves for quick reach.

## FINISH OPTIONS



# 24" Marvel Outdoor Refrigerator with Door Storage and MaxStore Bin

MORE224

### Storage Adaptability

- 5.1 cu. ft. capacity stores (146) 12-oz cans
- Easy access door storage accommodates tall bottles
- Cantilevered, fully adjustable FreshFlo stainless steel slide-out full width shelf
- MaxStore smooth-glide clear bin organizes loose, bulky items; capable of storing 15 lbs of produce, 4 wine bottles or 22 cans
- Also includes (1) roller-glide and (1) half-width cantilevered, fully adjustable perforated stainless steel shelf and (1) fixed steel-framed glass shelf

### Cooling Performance

- Designed for outdoor use
- Dynamic cooling technology delivers rapid cool down, frost-free operation and precise temperature stability
- Proprietary shelving design plus perforated FreshFlo openings allow for cool air to circulate throughout cabinet for temperature consistency from top to bottom
- Thermal-efficient cabinet insulates cooling environment and conserves energy while maximizing capacity
- Sound-buffering design

### Convenient Controls

- Multifunction controls allow you to select a precise temperature from 34° F to 60° F
- Features easy-to-use settings and options

### Warranty

- 1-year parts and labor warranty and 5-year sealed system parts warranty



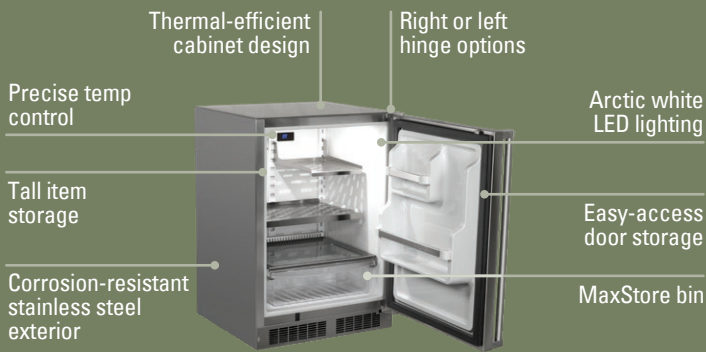
*Able to hold 146 12-oz cans, this Marvel Outdoor Refrigerator features an adjustable shelving system with a slide-out shelf, easy-access door storage and a MaxStore bin for loose items.*

### Fit & Finish

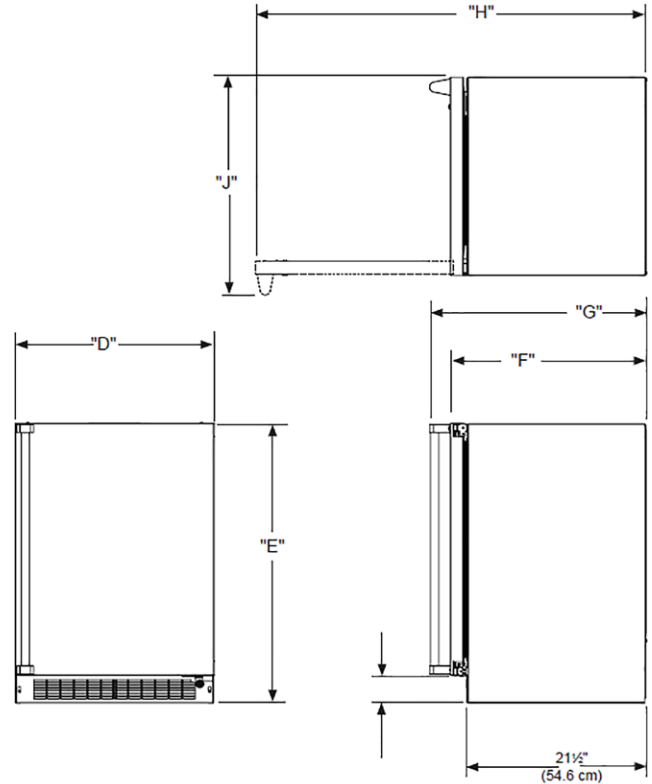
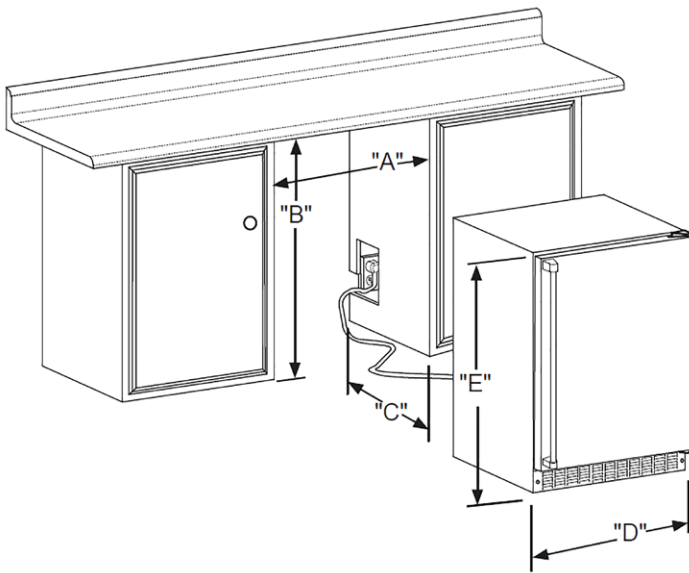
- Corrosion-resistant stainless steel exterior, sturdy pro-style handle and rugged stainless steel toe kick
- Bright arctic white interior easily wipes clean
- Efficient arctic white LED lighting brightly illuminates interior for better viewing of contents
- Stainless steel toe kick adjustable to 4" with leveling legs
- Door lock provides added safety and security

DOOR STYLE	HINGE	MODEL NUMBER
Solid Stainless Steel	Right	MORE224-SS41A
Solid Stainless Steel	Left	MORE224-SS51A





H: 33 3/4" W: 23 7/8" D: 26 7/32" (with handle)



**Rough In Dimensions**

"A"	"B"	"C"
24"	34-1/4" to 35-1/4"	24"
(61 CM)	(87 CM to 89.5 CM)	(61 CM)

**Cabinet Dimensions**

"D"	"E"	"F"	"G"	"H"	"J"
23-7/8"	33-5/8" TO 34-5/8"	23-5/8"	26-1/8"	47-3/4"	26-1/2"
(60.7 CM)	(85.4 CM TO 87.9 CM)	(60 CM)	(66.3 CM)	(146.6 CM)	(67.3 CM)

<b>Capacity</b>	5.1 CU. FT.
<b>Control Type</b>	Electronic
<b>Sabbath Mode</b>	Yes
<b>Temperature Range</b>	34° F to 60° F
<b>Handle Style</b>	Professional
<b>Door Swing</b>	Right or Left Hinge Specific
<b>Interior Lighting</b>	White LED
<b>Shelving System</b>	Cantilevered, Smooth-Glide
<b>Toe Grille Finish</b>	Stainless Steel

<b>Lock</b>	Yes
<b>Electrical Requirements</b>	115V / 60 Hz / 15A
<b>Cord Length</b>	6 FT.
<b>Shipping Dimensions</b>	28" W x 31" D x 37" H
<b>Shipping Weight</b>	160 LBS
<b>Agency Approval</b>	UL
<b>Refrigerant Type</b>	R600a

For comprehensive installation instructions, please visit [marvelrefrigeration.com](http://marvelrefrigeration.com) to access the owner's guide.

