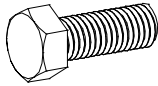


# ASSEMBLY INSTRUCTIONS

## Kit Contents:-

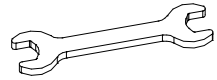
1. Bolts-5Pc.  
30x8mm.



2. Washers-5Pc.  
8mm.



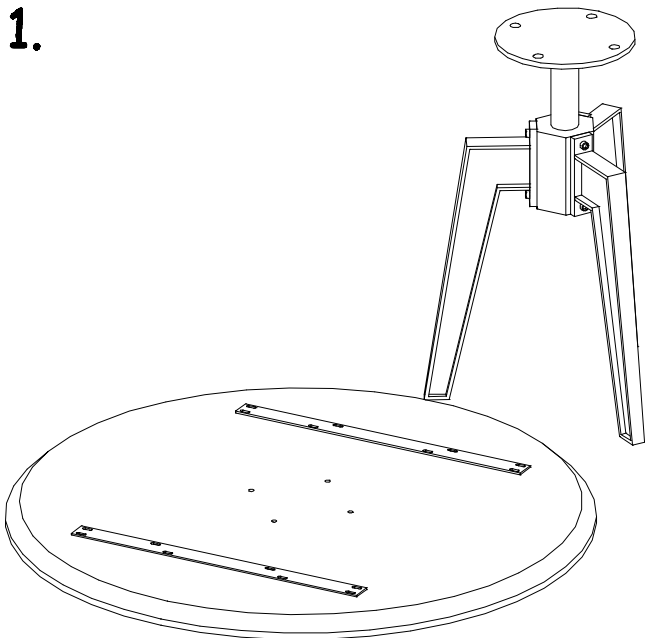
3. Spanner-1Pc.  
12-13no.



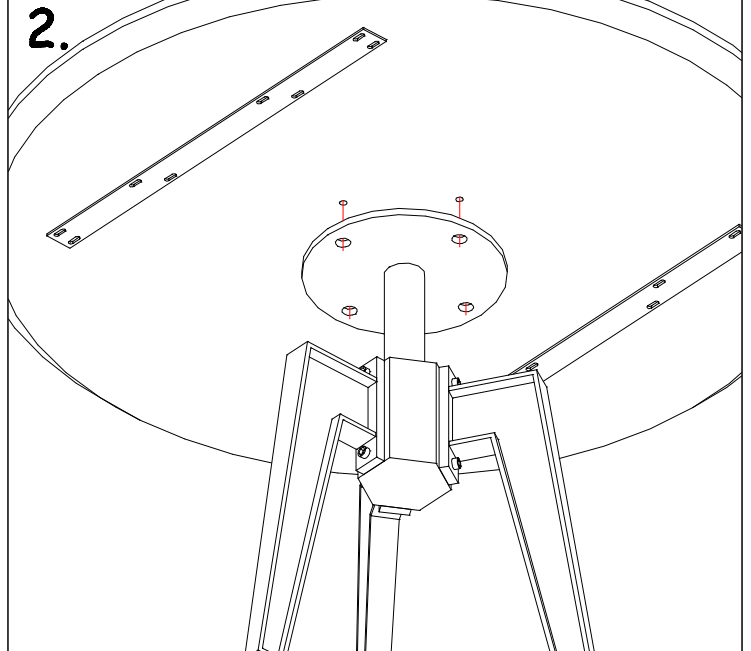
## Instructions:-

1. Put the table base on a protective surface.
2. Match the hole on the bottom of the table top with base holes. (See image 2)
3. Fix with top & base using bolts & washers with spanner. (See image 3)
4. Now the table is ready to use.

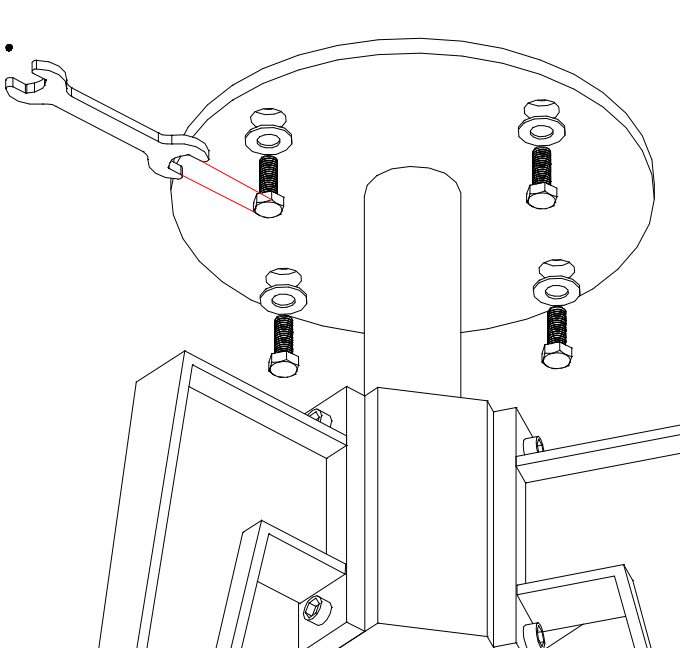
1.



2.



3.



4.

