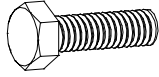


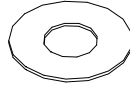
## ASSEMBLY INSTRUCTIONS

### Kit Contents:-

1. Bolt-7Pc.  
30x8mm.



2. Washer-7Pc.  
8mm.



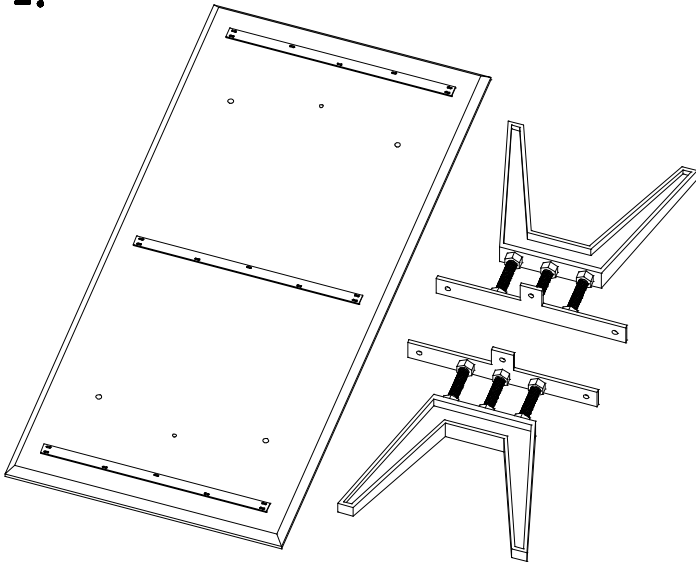
3. Spanner-1Pc.  
12-13no.



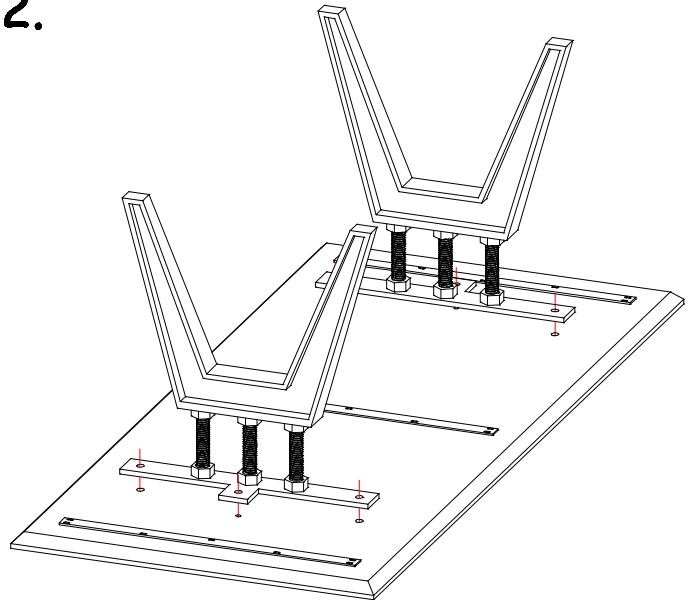
### Instructions:-

1. Put the table top upside down on a protective surface.
2. Match the holes on the table leg with holes on the bottom of the table top (See image 2).
3. Secure using bolts & washers with spanner provided. (See image 3)
4. Turned the table upright and is ready to use.

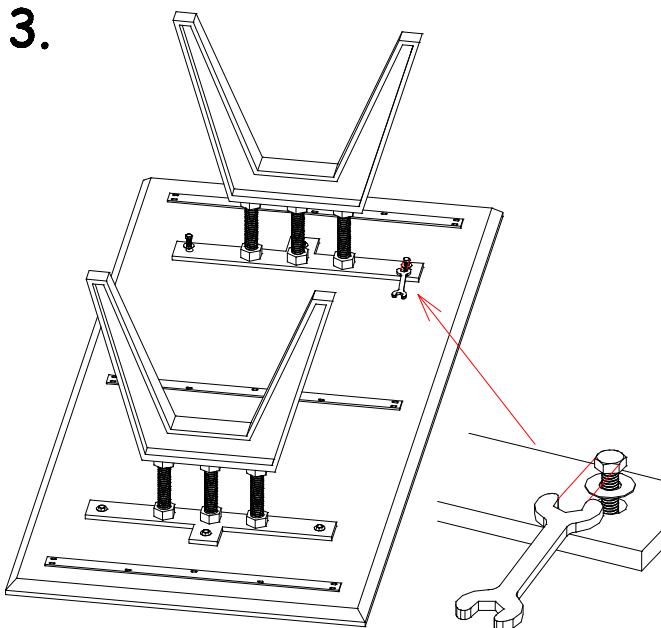
1.



2.



3.



4.

