

Model: P2D4-8

Type: DVC Subwoofer

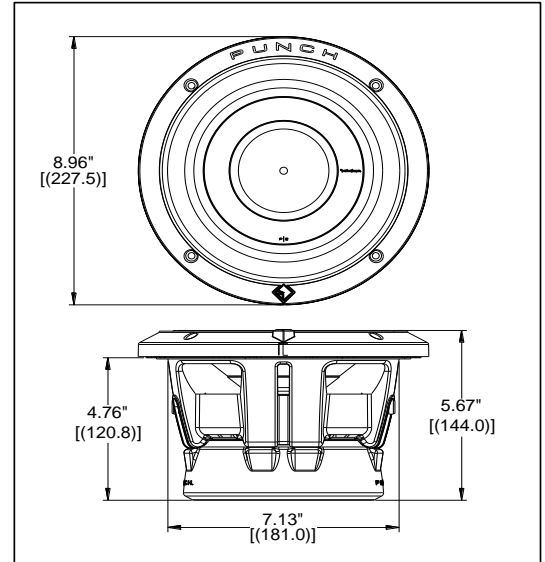
Power Rating: 250 Watts (RMS)

Impedance: (2) 4 ohms



Features

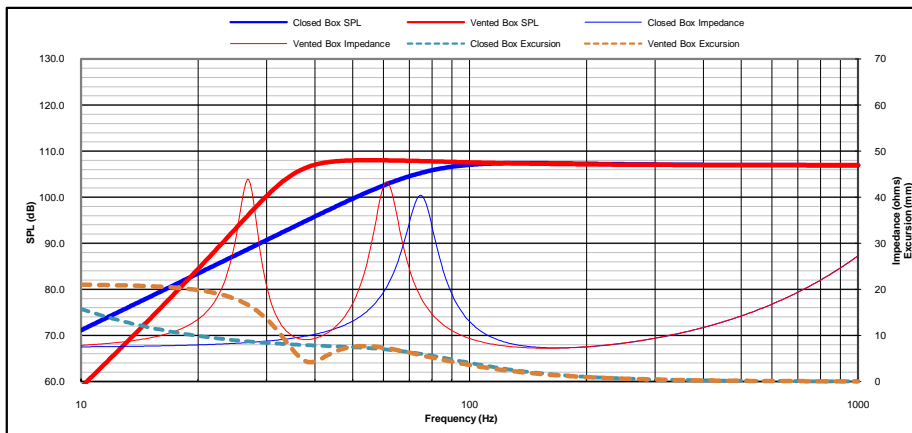
- High modulus Kevlar™ re-inforced paper-pulp cone.
- Dual tear & fatigue resistant poly-cotton spider.
- Tall-profile VAST™ Santoprene™ surround
- High temp 2.25" voice coil w/ spun-laced Nomex™ insulating re-inforcement collar
- Optimized motor magnetics with extended pole and bumped vented backplate.
- Fatigue resistant and reduced strain "stitched on" flexible lead wire design.
- Proprietary spider venting/cooling technique
- Multi-point high-temp/high-strength neck joint bonding technique.
- Sturdy 16 guage compound bend frame geometry.
- Semi-flexible, PVC removable protective motor cover.
- Proprietary all metal, radially oriented compression input terminal assembly.
- Flex-fit™ Mounting pattern
- Die-Cast aluminum soft-touch painted trim ring allows for optional integrated grill



Recommended Applications

Enclosure	Volume (Vb)		Tuning(Fb)	System (Qtc)	-3dB (F3)	Port Dia.		Port Length	
	Liters	cu.ft.	Hz		Hz	in.	cm	in.	cm
Sealed:	6.5	0.23	66.1	0.82	66.4	-	-	-	-
Ported:	18.4	0.65	38.5	-	33.7	2.0	50.8	8.8	22.3

SPL & Excursion (at 250 Watts) / Impedance (at 1 Watt)



Thiele-Small Specifications

- Fs (Hz): 43.0
- Re (Ohms): 6.90
- Le (mH): 4.3
- Qts: 0.52
- Qes: 0.58
- Qms: 5.40
- Cms (mm/N): 0.14
- Vas (L): 9.9
- Mms (g): 96.2
- Mmd (g): 94.3
- Rms (kg/s): 4.8
- Airload (g): 1.9
- No (%): 0.12
- SPL (dB - 1W/1M): 83.0
- BL (T*M): 17.5
- *Xmax₁₀ (mm): 7.7
- Sd (cm²): 221
- EBP: 74
- Krm (mOhms): 0.13
- Erm: 1.46
- Kxm (mH): 29.1
- Exm: 0.81
- Rem (Ohms): 45.63

* All parameters are derived using a laser velocity measurement method and verified with actual measured Mmd and Re. All dual voice coil models are wired in series. Xmax₁₀ represents actual effective excursion at <10% THD.

Technical Specifications

Voice Coil Diameter:	2.25	57.7	inches mm
Voice Coil Height:	0.94	23.9	inches mm
Voice Coil Layers:	4		layers
Magnetic Gap Height:	0.39	10.0	inches mm
Linear Excursion, (Xmax):	0.28	7.0	inches mm
Maximum Excursion (mech), pk-pk:	1.90	48.3	inches mm
Magnet Weight:	49	1.38	oz. kg
Woofers Displacement:	2	0.071	liters cubic ft.
Net Weight:	9.5	4.3	lbs. kg
Power Rating:	250	500	RMS Peak

Above specifications and dimensions comply with the CEA-2031 standard.

Specifications subject to change without notice.