

Ideal Work&WashStation™ 5D

SPECIFICATIONS

IWW-5-D-BA



Natural Golden Bamboo / Exclusive Gray Resin

IWW-5-D-GT



Graphite Wood Composite / Graphite Resin

IWW-5-D-WH



Designer White Resin*

IWW-5-D-GR



Exclusive Gray Resin*

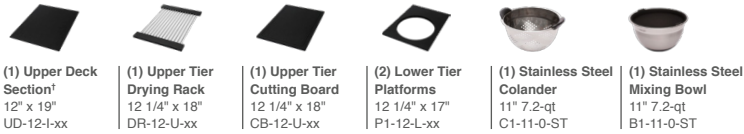
Specifications

Double bowl
Users: 1-2
Culinary/Wash Tools included: Nine
Galley Taps recommended: Two
Outside dimensions: 57 1/2" x 19 1/2" x 10 5/16"
Countertop cutout: 56 1/2" x 18"
Basin area: 33 7/8", 21 7/8" x 16"
Minimum cabinet size: 60" or 150cm

Basin (KSO-5-D-SS)

16GA 316L stainless steel indoor/outdoor
SilentArmor™ sound reduction technology
Angel finish
Two tier design
Star™ groove pattern
Reversible side drain
Drain covers included
Limited Lifetime Warranty
Made in the USA
ASME A112.19.3/CSA B45.4 certified

Culinary Tools included (CKT-12)



- | | | | | | |
|--|---|---|---|--|---|
| (1) Upper Deck Section*
12" x 19"
UD-12-I-xx | (1) Upper Tier Drying Rack
12 1/4" x 18"
DR-12-U-xx | (1) Upper Tier Cutting Board
12 1/4" x 18"
CB-12-U-xx | (2) Lower Tier Platforms
12 1/4" x 17"
P1-12-L-xx | (1) Stainless Steel Colander
11" 7.2-qt
C1-11-0-ST | (1) Stainless Steel Mixing Bowl
11" 7.2-qt
B1-11-0-ST |
|--|---|---|---|--|---|

Wash Tools included (WKT-4T)



- | | | | |
|--|---|---|--|
| (1) Upper Tier Drying Rack
9 1/4" x 18"
DR-09-U-xx | (1) Lower Tier Wash Caddy
6" x 17"
WC-06-L-xx | (1) Lower Tier Wash Bowl
12" x 17"
WB-12-L-xx | (1) Upper Tier Utensil Caddy
6" x 18"
UC-06-U-xx |
|--|---|---|--|

Personalize Your IWW-5-D

- | | | |
|---|--|---|
| Add 7-12" length
Add 1-6" length
Add 18" DryDock
Add 12" DryDock | Apron front
9" height
Center drain | Galley Tap collection
Optional Culinary Tools
*Color coded labels available |
|---|--|---|

* The Upper Deck requires a 1/4" clearance below the surface of the countertop. If the countertop thickness is 2cm or less, Bamboo Upper Deck sections will not have the needed clearance to function above the Upper Tier Culinary Tools.

Please refer to Culinary Kit Finish descriptions for planning.

Custom options are available for countertops that are 1/2" or less in thickness.

Upper Deck™

Upper Deck cover set UD-5-3P-GT/BA/GR/WH Graphite, Bamboo, Gray or White Resin

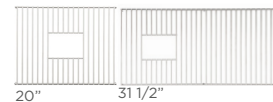


Upper Deck sections Graphite, Bamboo, Gray or White Resin



Recommended Basin Accessories

Bottom Grate set BG-5-D-2-SS Stainless Steel



Manual Strainer Basket
M-DRN-MSS Angel Finish 304 Stainless Steel



Disposal Flange Strainer Basket
G-DRN-MSS Angel Finish 304 Stainless Steel



Auto Strainer Basket Angel Finish 304 Stainless Steel with Polished or Matte knob



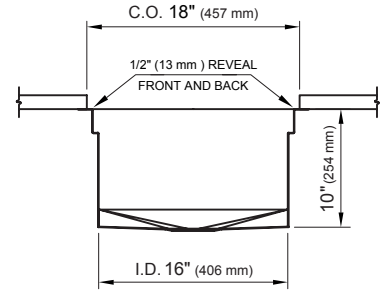
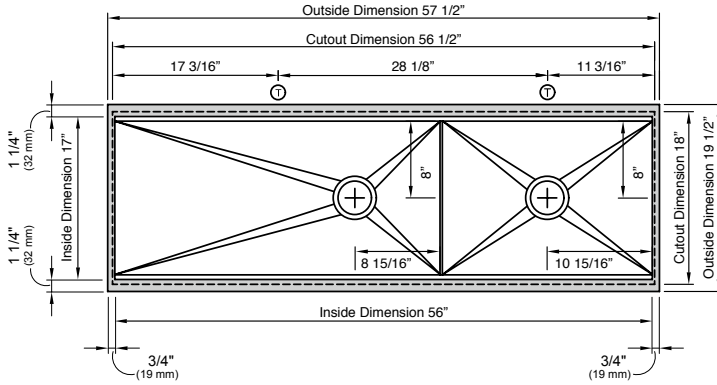
A-DRN-PSS
A-DRN-MSS

Ideal Work&WashStation™ 5D

SPECIFICATIONS | Right Hand Drain Orientation



Tap Hole Specifications



SUGGESTED GALLEY TAP PLACEMENT GUIDE

Suggested maximum inside corner radius of countertop cutout 3/8"

① Galley Tap 1 3/8" min to 1 1/2" max hole diameter

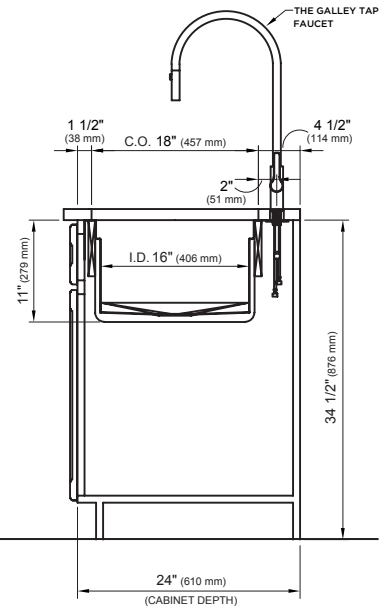
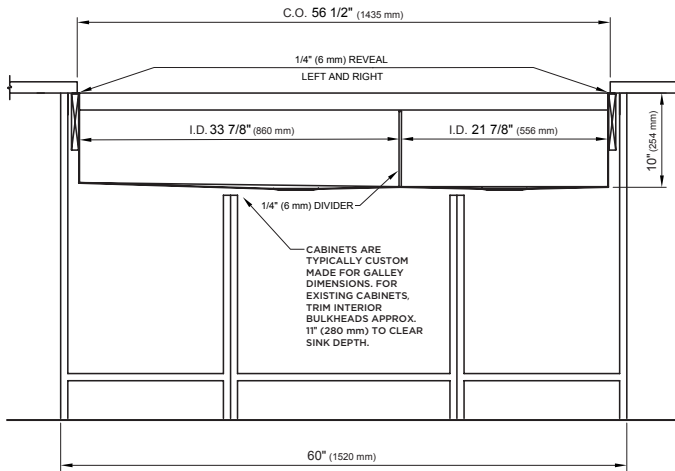
Center Tap hole diameters 2" behind cutout

Note: Galley Hot & Cold Tap requires a minimum 8" clearance to center if installed to the right of the Galley Tap

Note: Tap Placements are for right hand or left hand drain orientation

Call 800.375.4255 or email customerservice@thegalley.com for additional guidance on Tap and Tap Accessory placements

Countertop Cutout Plan



STAINLESS STEEL COMPLIANCE ASME A112. 19.3-2008/CSA B45.4-08

WE RESERVE THE RIGHT TO MAKE REVISIONS WITHOUT NOTICE IN THE DESIGN OF PRODUCTS OR IN PACKAGING UNLESS THIS RIGHT HAS SPECIFICALLY BEEN WAIVED AT THE TIME THE ORDER IS ACCEPTED.

DWG and DXF templates available on our website:

TheGalley.com/specification-library

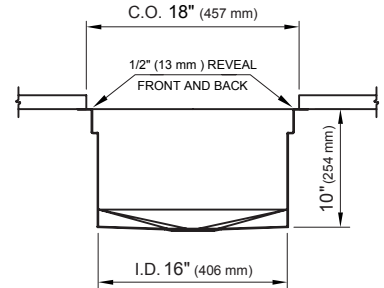
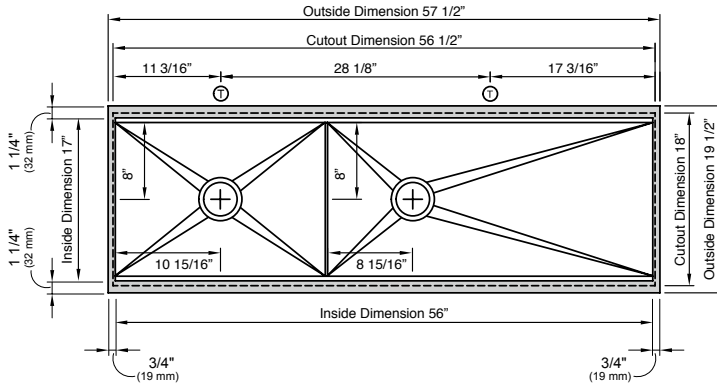
Questions? For additional assistance, please contact
The Galley's Customer Service Department at 800.375.4255

Ideal Work&WashStation™ 5D

SPECIFICATIONS | Left Hand Drain Orientation



Tap Hole Specifications



SUGGESTED GALLEY TAP PLACEMENT GUIDE

Suggested maximum inside corner radius of countertop cutout 3/8"

⊕ Galley Tap 1 3/8" min to 1 1/2" max hole diameter

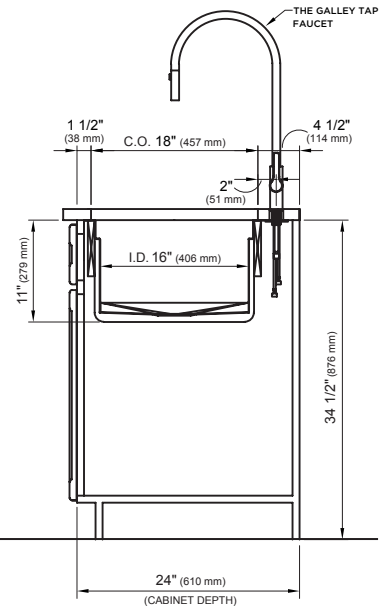
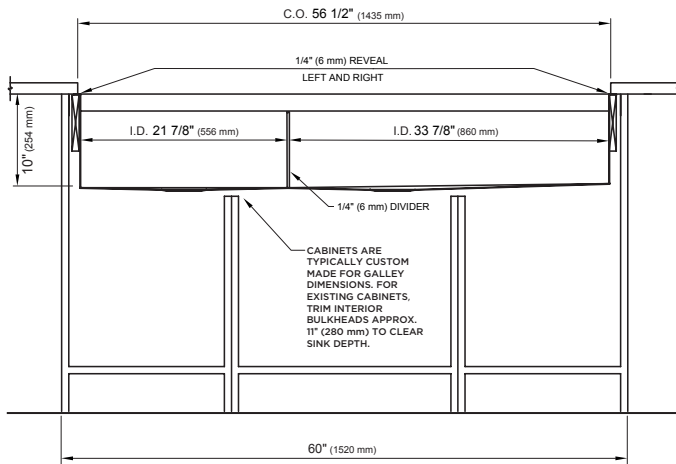
Center Tap hole diameters 2" behind cutout

Note: Galley Hot & Cold Tap requires a minimum 8" clearance to center if installed to the right of the Galley Tap

Note: Tap Placements are for right hand or left hand drain orientation

Call 800.375.4255 or email customerservice@thegalley.com for additional guidance on Tap and Tap Accessory placements

Countertop Cutout Plan



STAINLESS STEEL COMPLIANCE ASME A112. 19.3-2008/CSA B45.4-08

WE RESERVE THE RIGHT TO MAKE REVISIONS WITHOUT NOTICE IN THE DESIGN OF PRODUCTS OR IN PACKAGING UNLESS THIS RIGHT HAS SPECIFICALLY BEEN WAIVED AT THE TIME THE ORDER IS ACCEPTED.

DWG and DXF templates available on our website:

TheGalley.com/specification-library

Questions? For additional assistance, please contact
The Galley's Customer Service Department at 800.375.4255