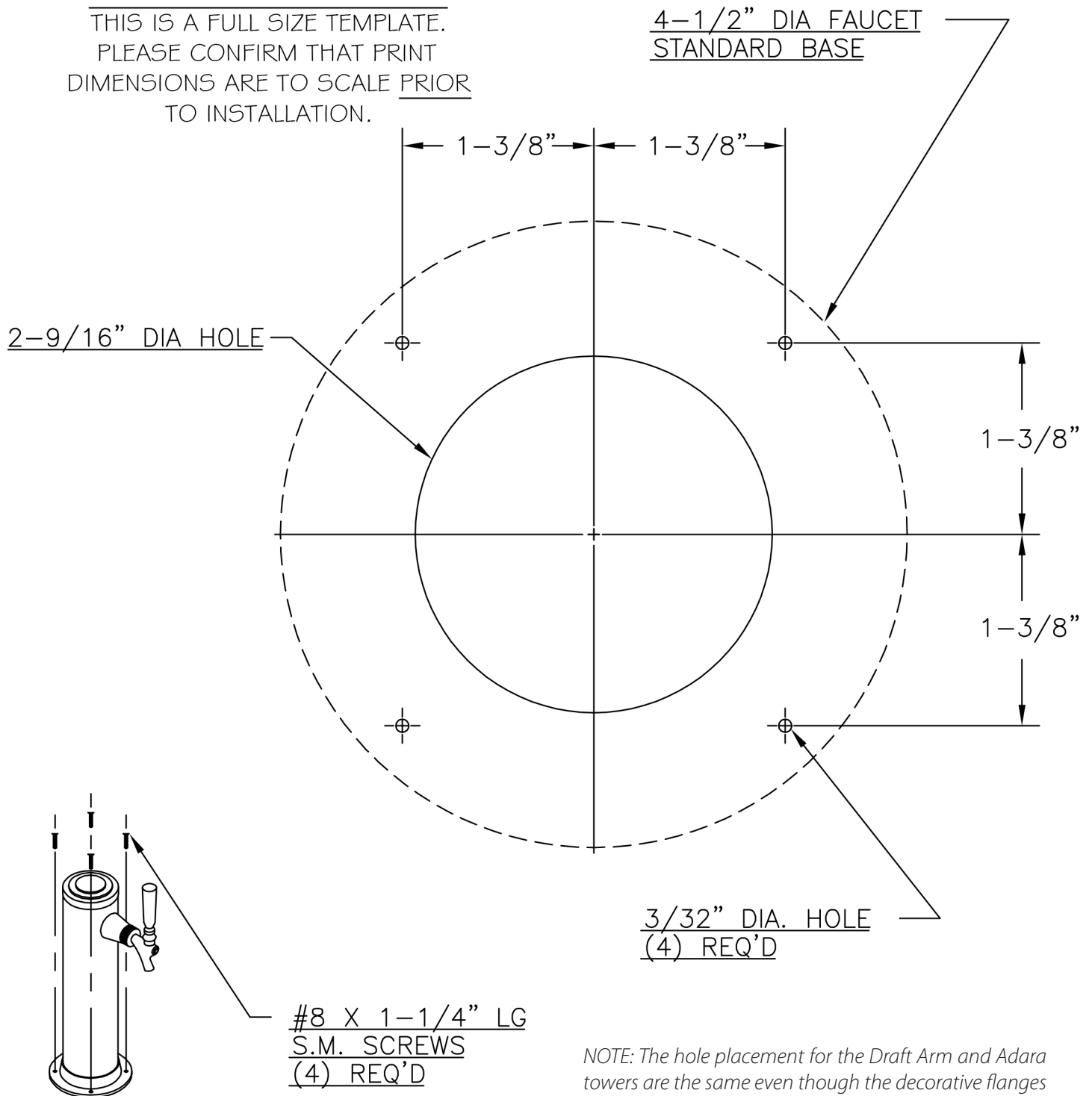


MOUNTING HOLE TEMPLATE FOR DRAFT ARMS AND ADARA SIGNATURE TOWERS

ATTENTION INSTALLERS
 THIS IS A FULL SIZE TEMPLATE.
 PLEASE CONFIRM THAT PRINT
 DIMENSIONS ARE TO SCALE PRIOR
 TO INSTALLATION.



NOTE: The hole placement for the Draft Arm and Adara towers are the same even though the decorative flanges are different shapes.