

Manor House MHK110-20WH Fireclay White Kitchen Sink

Franke and Villeroy & Boch have created the distinctive design of the Manor House Collection to enhance your personal kitchen style. Scratch-and-stain resistant fireclay offers hygienic properties and qualities most desired in today's kitchens.

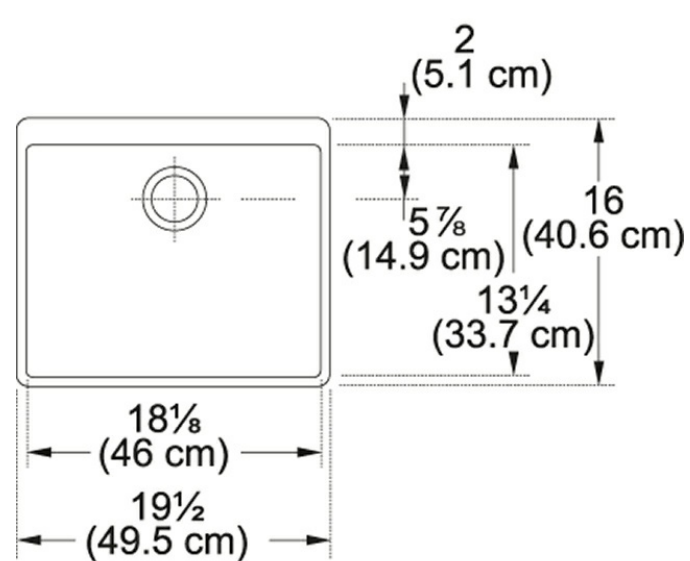
FEATURES

- **Stain Resistant:** We apply a dirt-repellent finishing polish, which means that any mess, tea or red wine stains can simply be wiped away with a little soapy water.
- **CeramicPlus Coating:** Causes liquids to bead upon making contact with the sink's surface, repelling dirt, lime-scale and other residues, which are easily wiped off.
- **Highly Durable:** Fireclay is an extremely tough, scratch-resistant surface that is impervious to acids and bleaches.
- **Apron Front Design:** Enables the user to stand directly in front of the basin making it more comfortable for prepping food and cleaning up

Product Picture



Technical Drawing



Product Dimensions

Length overall	19 1/2"
Width overall	16"
Length of large bowl	18 1/8"
Width of large bowl	13 1/4"
Depth of large bowl	5 7/8"
Minimum Cabinet Size	21"

General Information

Type of Material	Fireclay
Number of Bowls	1
Installation Clips	No
Cut-Out Template	No

Article Numbers

FUN#	130.0066.192
US Part Number	MHK110-20WH

