

# PH42GWS

## 27-INCH DEPTH WALL HOOD (42-INCH WIDTH)

PROFESSIONAL® SERIES



### FEATURES & BENEFITS

- 27" in depth, a perfect companion to Pro Grand® Professional Ranges
- ★ Equipped with the Thermador Connected Experience by Home Connect™
- Powerfully Quiet® system accepts integral, inline, and remote blowers
- Keep food warm until it's ready to be served with two independently controlled infrared heat lamps
- Beautiful illumination with multi-level, vivid LED lights

### ACCESSORIES (OPTIONAL)

25 ft. Blower Connector Cable - EXTNCB25W

EXTNCB25W - For use with the following inline and remote blowers: VTR1FZ, VTR2FZ, VT11FZ, VT12FZ

Roofplates

RFPLT600P - For use with 600 CFM remote blower VTR1FZ

RFPLT1000P - For use with 1000 CFM remote blower VTR2FZ

6" Tall Duct Cover, 42" wide	DC426W
8' - 9' Ceiling Telescoping Duct Cover, 42" Wide	DC4289W

Built-In Remote Control Panel

REMCPW - Ability to vertically install on cabinetry or wall to control hood in a convenient location



### GENERAL PROPERTIES

Features

Multi-Level LED Lights with Fading Transitions, Infrared Heat Lamps, Automatic Mode, Check Filter Reminder Light, Delay Shut-Off

Operating Mode	Ducted
Number of Speed Settings	4-Stage
Motor Location	Blower (Sold Separately)
Number Of Lights	2
Bulb Type	LED
Light Lumens	100 – 150
Light Color	3500 – 4000 °K
Total Power Of The Lamps	2.4 W
Damper Included	Yes
Grease Filter Material	Aluminum*
Grease Filter Type	Commercial Style Baffle Filter
Home Connect™ (Wi-Fi Enabled)	Yes

### TECHNICAL DETAILS

Watts	See Chart on Page 3
Current	See Chart on Page 3
Volts	120 V
Frequency	60 Hz
Plug Type	Fixed Connection

### DIMENSIONS & WEIGHT

Overall Appliance Dimensions (Width Of Canopy Included) (HxWxD)	18" x 41 15/16" x 27"
Minimum Distance Above Gas / Electric Cooking Surface	30" / 30"
Diameter of Air Duct Top	10"
Diameter of Air Duct Back	10"
Net Weight	85 lbs

### ACCESSORIES (REQUIRED)

Blower (Sold Separately)

### BLOWER OPTIONS

Remote Blower (Mounted to Roof or External Wall)	VTR1FZ - 600 CFM
	VTR2FZ - 1000 CFM
Inline Blower (Mounted Between Kitchen and External Wall)	VT11FZ - 600 CFM
	VT12FZ - 1000 CFM
Integrated Blower (Mounted in Hood)	VTN2FZ - 1000 CFM

### WARRANTY

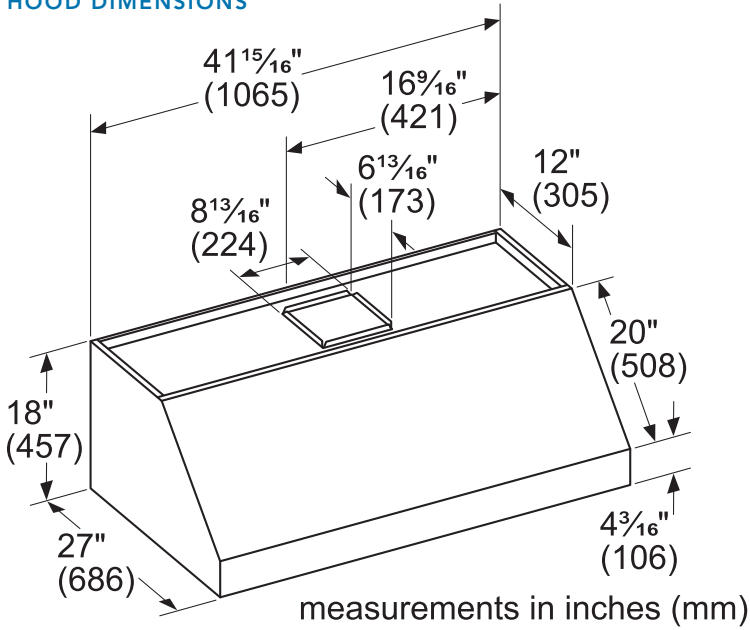
Limited Warranty Parts And Labor	2 Year
----------------------------------	--------

\*Transition to aluminum starting in Fall 2022

**PH42GWS**  
**27-INCH DEPTH WALL HOOD**  
**(42-INCH WIDTH)**  
**PROFESSIONAL® SERIES**



**HOOD DIMENSIONS**

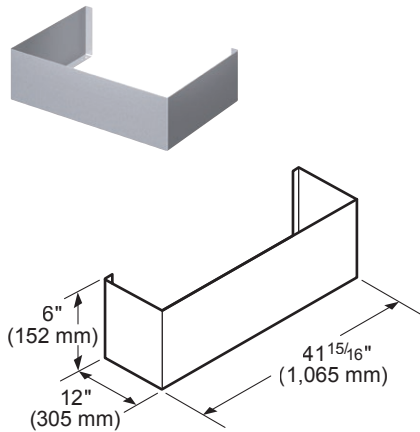


**OPTIONAL ACCESSORIES**

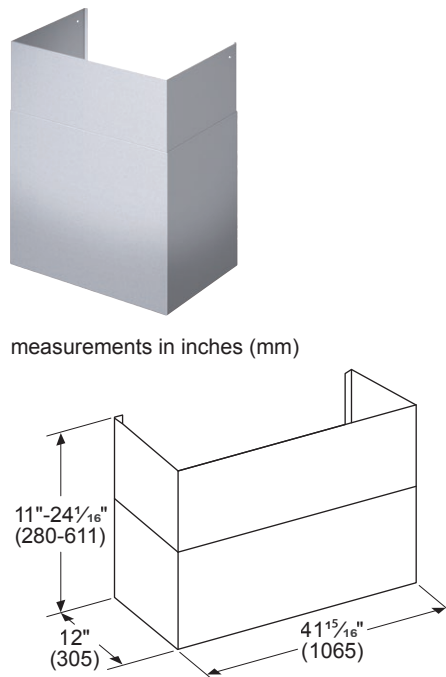
**42" WIDE DUCT COVER**

Stainless steel duct cover for wall hood applications

**DC426W 6" TALL**



**DC4289W**  
**TELESCOPING FOR 8'-9' CEILINGS**



**REMOTE CONTROL PANEL REMCPW**



Convenience at your fingertips: The remote control accessory offers the freedom to extend your hood controls to a more reachable spot

# PH42GWS

## 27-INCH DEPTH WALL HOOD

### (42-INCH WIDTH)

PROFESSIONAL® SERIES

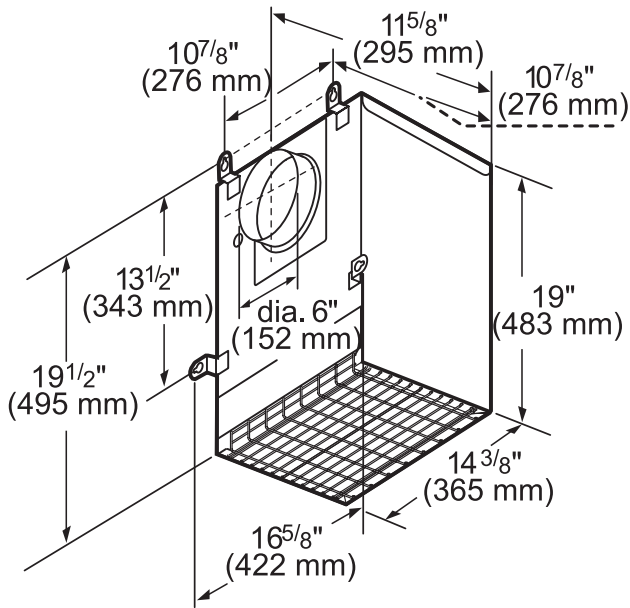


#### ELECTRIC LOAD (120V, 60HZ)

		Remote Blower		Inline Blower		Integrated Blower
		VTR1FZ	VTR2FZ	VTI1FZ	VTI2FZ	VTN2FZ
PH42GWS	Amps	11.7	16.3	11.7	16.3	14.7
	Watts	1,404	1,956	1,404	1,956	1,764

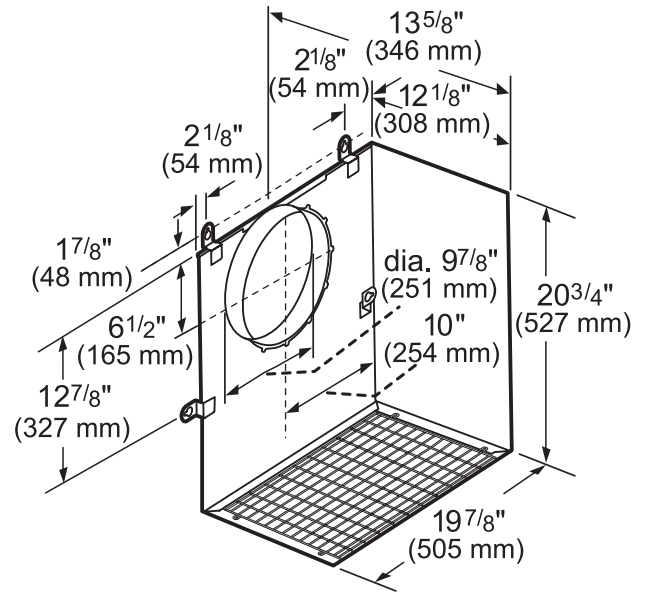
#### REMOTE BLOWERS (MOUNTED TO ROOF OR EXTERNAL WALL)

##### VTR1FZ-600 CFM



measurements in inches and mm

##### VTR2FZ-1000 CFM



measurements in inches and mm

# PH42GWS

## 27-INCH DEPTH WALL HOOD (42-INCH WIDTH)

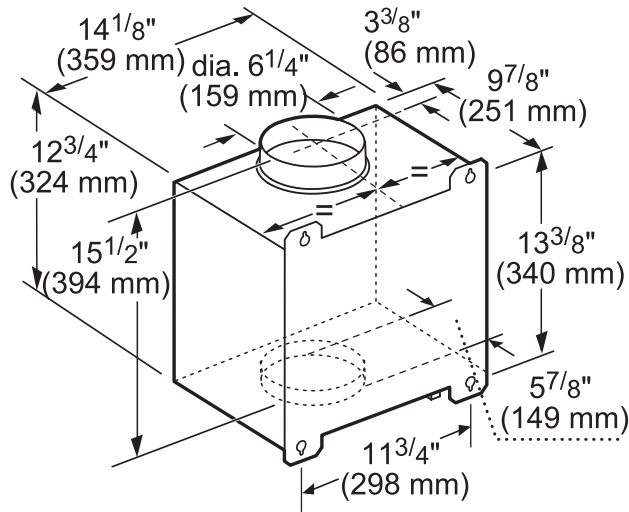
PROFESSIONAL® SERIES



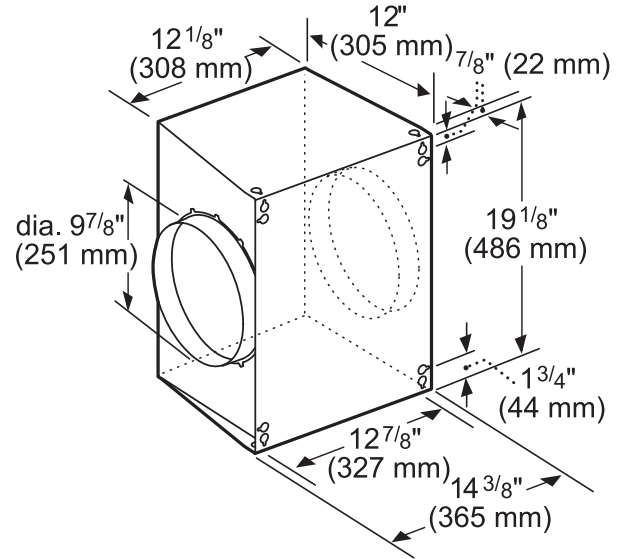
### INLINE BLOWERS (MOUNTED BETWEEN KITCHEN AND EXTERNAL WALL)

VT11FZ-600 CFM

VT12FZ-1000 CFM



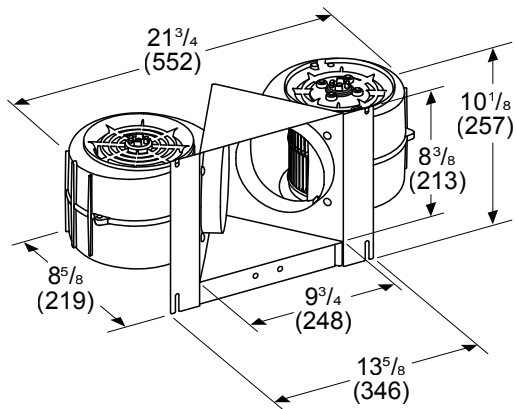
measurements in inches and mm



measurements in inches and mm

### INTEGRATED BLOWERS (MOUNTED IN HOOD)

VTN2FZ-1000 CFM



Measurements in inches (mm)

### HVI PERFORMANCE VALUES (CFM & SONES)

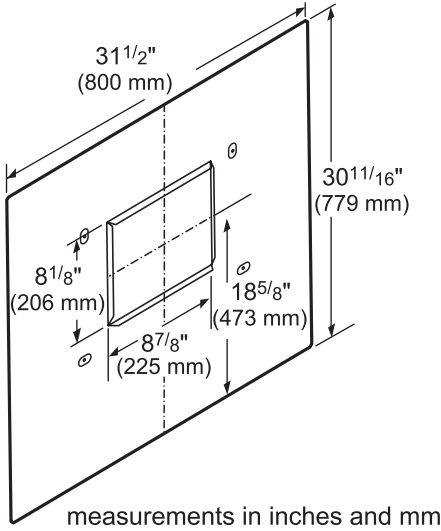
PH42GWS WITH BLOWER VTN2FZ								
Exhaust	Pressure (in. H <sub>2</sub> O)		Amps (@ 0.1 SP)		CFM		Sones	
	High Speed	Working Speed	High Speed	Working Speed	High Speed	Working Speed	High Speed	Working Speed
Horizontal	0.1	0.017	7.04	3.26	980	380	14.5	2.5
Vertical	0.1	0.016	7.00	3.27	980	390	13.5	2.5

**PH42GWS**  
**27-INCH DEPTH WALL HOOD**  
**(42-INCH WIDTH)**  
**PROFESSIONAL® SERIES**

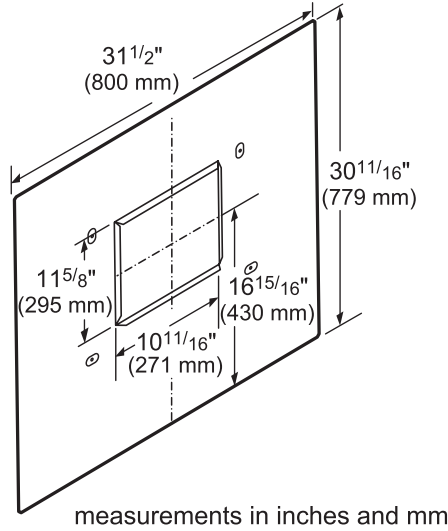


**REMOTE BLOWER ACCESSORIES**

**ROOFPLATE-RFPLT600P**



**ROOFPLATE-RFPLT1000P**



**EXTNCB25W**

For use with the following Inline and Remote Blowers: VTR1FZ, VTR2FZ, VT11FZ, VT12FZ

These warranties give you specific legal rights and you may have other rights that vary from state to state. Limited warranty from date of purchase. For complete warranty details, refer to your Use & Care manual, or ask your dealer.

Specifications are for planning purposes only. Refer to installation instructions and consult your countertop supplier prior to making counter opening. Consult with a heating and ventilation engineer for your specific ventilation requirements. For the most detailed information, refer to installation instructions accompanying product or write to Thermador indicating the model number. Specifications are correct at time of printing. Thermador reserves the right to change product specifications or design without notice. Some models are certified for use in Canada. Thermador is not responsible for products that are transported from the U.S. for use in Canada.