

# HPIN42WS

## 42-INCH BOX ISLAND HOOD

PROFESSIONAL® SERIES



### FEATURES & BENEFITS

- Meticulously sculpted, floating stainless steel Professional® Series island hoods make a dramatic statement in your kitchen
- Crafted to complete the ultimate cooking system with Thermador ranges
- ★ - Equipped with the Thermador Connected Experience by Home Connect™
- Powerfully Quiet® system accepts integral, inline, and remote blowers
- Beautiful illumination with multi-level, vivid LED lights

### ACCESSORIES (OPTIONAL)

25 ft. Blower Connector Cable - EXTNCB25W

For use with the following inline and remote blowers: VTR1FZ, VTR2FZ, VT11FZ, VT12FZ

Roofplates

RFPLT600P - For use with 600 CFM remote blower VTR1FZ

RFPLT1000P - For use with 1000 CFM remote blower VTR2FZ



### GENERAL PROPERTIES

Features

Multi-Level LED Lights with Fading Transitions, Automatic Mode, Check Filter Reminder Light, Delay Shut-Off

Operating Mode	Ducted
Maximum CFM	Blower Sold Separately
Number of Speed Settings	4-Stage
Number of Lights	4
Bulb Type	LED
Light Lumens	100 – 150
Light Color	3500 – 4000 °K
Total Power of the Lamps	4.8 W
Damper Included	Yes
Grease Filter Material	Aluminum*
Grease Filter Type	Commercial Style Baffle Filter
Home Connect™ (Wi-Fi Enabled)	Yes

### TECHNICAL DETAILS

Watts	See Chart on Page 3
Current	See Chart on Page 3
Volts	120 V
Frequency	60 Hz
Plug Type	Fixed Connection

### DIMENSIONS & WEIGHT

Overall Appliance Dimensions (Width of Canopy Included) (HxWxD)	5 1/4" x 41 15/16" x 26 11/16"
Height of the Chimney	24 3/4" – 36 3/4"
Minimum Ceiling Height Required	8'
Minimum Distance Above Gas / Electric Cooking Surface	30" / 30" min. 40" / 40" max.
Diameter of Air Duct Top	10"
Net Weight	126 lbs

### ACCESSORIES (REQUIRED)

Blower (Sold Separately)

### BLOWER OPTIONS

Remote Blowers (Mounted to Roof or External Wall)	VTR1FZ - 600 CFM
	VTR2FZ - 1000 CFM
Inline Blowers (Mounted Between Kitchen and External Wall)	VT11FZ - 600 CFM
	VT12FZ - 1000 CFM

### WARRANTY

Limited Warranty Parts and Labor	2 Year
----------------------------------	--------

\*Transition to aluminum starting in Fall 2022

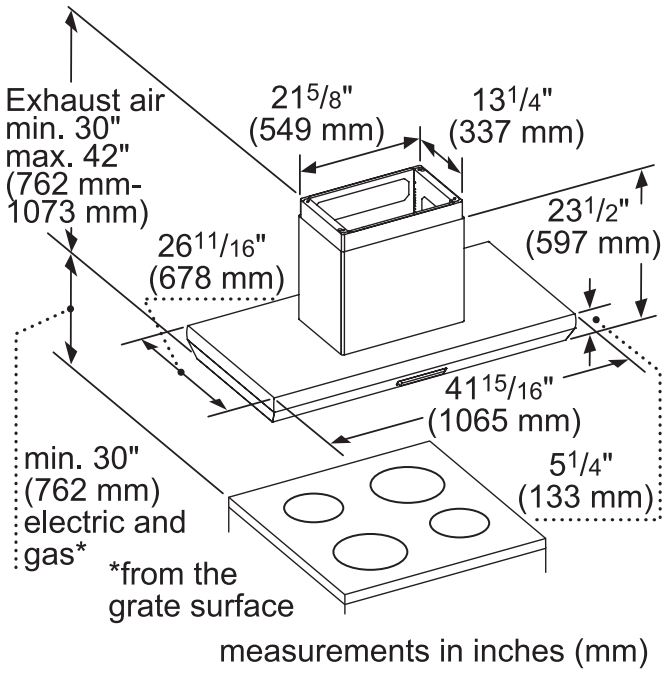
# HPIN42WS

## 42-INCH BOX ISLAND HOOD

PROFESSIONAL® SERIES



### HOOD DIMENSIONS



# HPIN42WS

## 42-INCH BOX ISLAND HOOD

PROFESSIONAL® SERIES

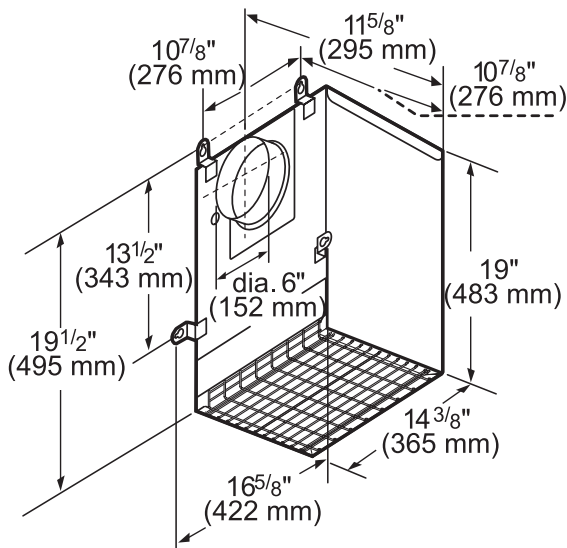


### ELECTRIC LOAD (120V, 60HZ)

		Remote Blower		Inline Blower	
		VTR1FZ	VTR2FZ	VTI1FZ	VTI2FZ
HPIN42WS	Amps	6.5	11.1	6.5	11.1
	Watts	780	1,332	780	1,332

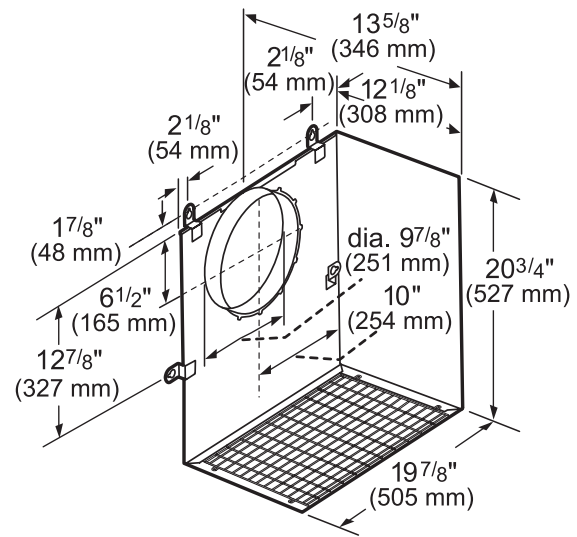
### REMOTE BLOWERS (MOUNTED TO ROOF OR EXTERNAL WALL)

#### VTR1FZ-600 CFM



measurements in inches and mm

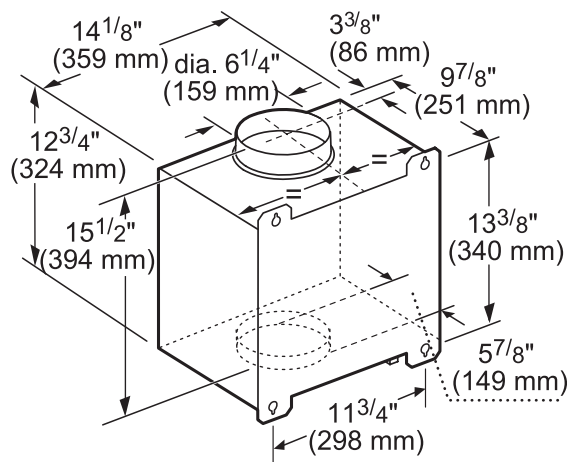
#### VTR2FZ-1000 CFM



measurements in inches and mm

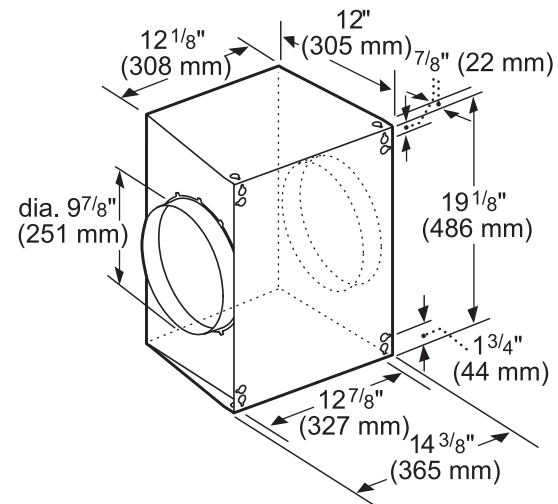
### INLINE BLOWERS (MOUNTED BETWEEN KITCHEN AND EXTERNAL WALL)

#### VTI1FZ-600 CFM



measurements in inches and mm

#### VTI2FZ-1000 CFM



measurements in inches and mm

# HPIN42WS

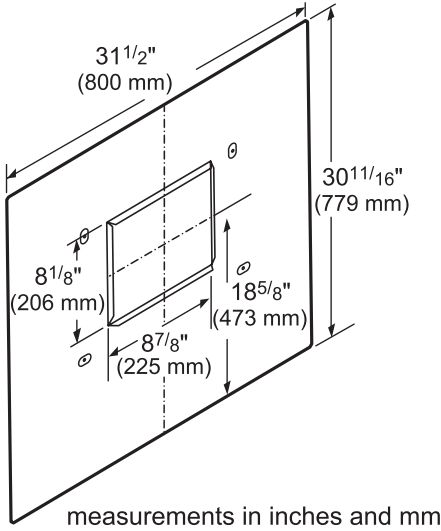
## 42-INCH BOX ISLAND HOOD

PROFESSIONAL® SERIES

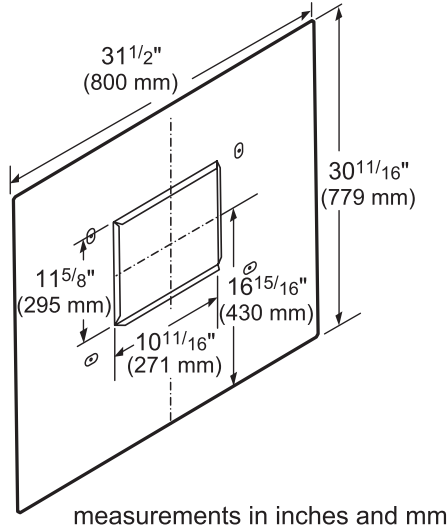


### REMOTE BLOWER ACCESSORIES

#### ROOFPLATE-RFPLT600P



#### ROOFPLATE-RFPLT1000P



#### EXTNCB25W

For use with the following Inline and Remote Blowers: VTR1FZ, VTR2FZ, VT11FZ, VT12FZ

These warranties give you specific legal rights and you may have other rights that vary from state to state. Limited warranty from date of purchase. For complete warranty details, refer to your Use & Care manual, or ask your dealer.

Specifications are for planning purposes only. Refer to installation instructions and consult your countertop supplier prior to making counter opening. Consult with a heating and ventilation engineer for your specific ventilation requirements. For the most detailed information, refer to installation instructions accompanying product or write to Thermador indicating the model number. Specifications are correct at time of printing. Thermador reserves the right to change product specifications or design without notice. Some models are certified for use in Canada. Thermador is not responsible for products that are transported from the U.S. for use in Canada.