

Pescara PTX160-37 Stainless Steel Kitchen Sink

Pescara sinks are equipped with a level of functionality and performance that maximizes usability for the home chef or kitchen connoisseur. Crafted from 18-gauge stainless steel with smooth corners, this sink is low maintenance and easier to clean.

FEATURES

- **Integrated Ledge System:** Shelf grid sits conveniently on the integrated ledge system, creating an elevated workspace. Perfect for expanding your workspace when you prep, rinse, and clean.
- **Concealed Drain:** The removable drain cover conceals the drain for a seamless bowl surface while providing a flat bottom that helps prevent glassware from tipping over.
- **Commercial Grade Stainless Steel:** Made of 18 gauge T304 stainless steel, highly resilient to corrosion and stains, and extremely durable to handle the everyday tasks in the busiest of kitchens.

Product Picture



Technical Drawing

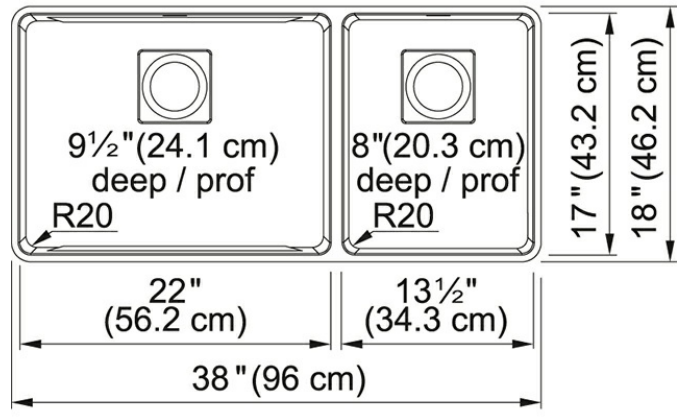
Product Dimensions

Length overall	38"
Width overall	18"
Length of large bowl	22"
Width of large bowl	17"
Depth of large bowl	9 1/2"
Length of small bowl	13 1/2"
Width of small bowl	17"
Depth of small bowl	8"
Minimum Cabinet Size	42"

General Information

Type of Material	18 Gauge Stainless Steel
Number of Bowls	2
Faucet Hole	0
Installation Clips	Yes
Cut-Out Template	Yes





Article Numbers

FUN#	122.0638.281
US Part Number	PTX160-37

